



3900 Central Parkway  
Hudsonville, MI 49426  
toll free 800.338.7337  
office 616.896.7100  
techsupport@soundoffsignal.com  
www.soundoffsignal.com

# 6 OUTPUT SOLID STATE REMOTE SWITCHING SYSTEM

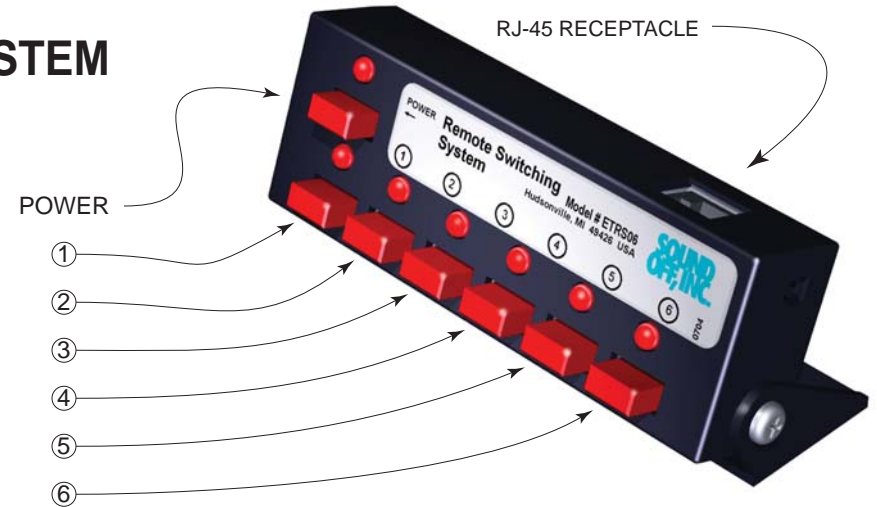
## OPERATION AND INSTALLATION

### ETRS06



SEE DIAGRAM FOR  
TERMINAL ASSIGNMENTS

RJ-45 PLUG



POWER

RJ-45 RECEPTACLE

①

②

③

④

⑤

⑥

### ELECTRICAL SPECIFICATIONS

Input Voltage Range: +8Vdc to +30Vdc  
Output Drive Current: 5 x 10A per Output, 1 x 20A  
Operating Temperature Range: -40C to +65C  
Standby Current: 0mA  
Reverse Polarity Protection to -40Vdc  
Short Circuit Protected Outputs  
Loss of Ground Protection  
Over-temperature Shutdown  
Over-voltage Shutdown at 32Vdc  
Under-voltage Shutdown at 8Vdc

### CABLE SPECIFICATIONS

Length: 5 Meters  
Type: CAT5(e)  
Termination: RJ-45  
Color: Black

### OUTPUT CONNECTOR SPECIFICATIONS

0.375" Barrier Terminals w/ washer rated at 20A for each output  
#6-32 philips wire clamp screw w/ 13 in-lb maximum torque  
Wire Gauge Range: 12-24 AWG

### INPUT CONNECTOR SPECIFICATIONS

0.438" Barrier Terminals w/ washer rated at 30A for each output  
#8-32 Wire Clamp Screw w/ 13 in-lb maximum torque  
Wire Gauge Range: 10-24 AWG

### DIMENSIONS

Controller: 103mm (w) x 38mm (d) x 23mm (h)  
Solid State Switch: 140mm (w) x 115mm (d) x 40mm (h)

### INSTALLATION INSTRUCTIONS

1. Securely mount the solid state relay unit using the heatsink as the template.
2. Securely mount the controller using the bracket or double sided adhesive tape for surface mount applications.
3. Route the RJ-45 cable and plug into the controller.
4. Connect input connector Pin 4 to reliable ground.
5. Connect input connector Pin 3 through 30A fuse to +10-30Vdc high current source.
6. If the total load of outputs 1+2+3 will total more than 30A, use a 20A fuse inline. Otherwise use a 30A fuse and connect inline with input connector Pin 2.
7. If the total load of outputs 1, 2, and 3 combined will total more than 30A, connect input connector Pin 1 through 20A fuse to +10-30Vdc high current source.
8. Connect the loads to the solid state switch outputs #1-6.

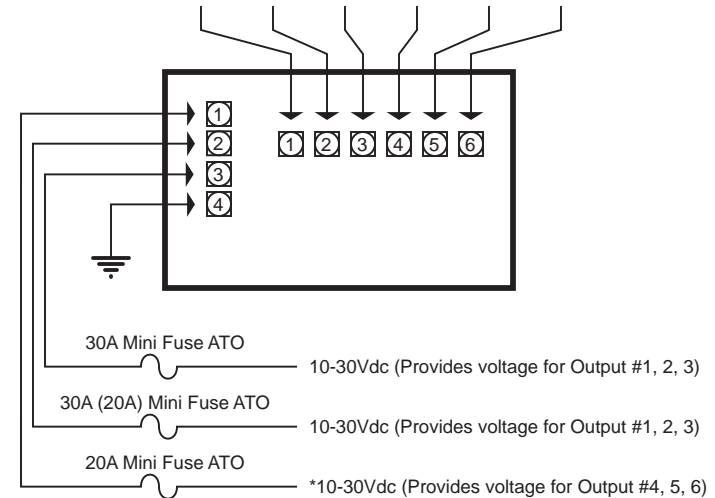
### OPERATION

Press the Main power switch to turn the unit ON. When ON, the Power LED should light to show the system is operational.

Press the switch for outputs 1-6 as needed and refer to chart (below) for operation.

LED Condition	Output Condition
OFF	Output is either OFF or there is a problem with the switching system
ON	Output is ON and functioning properly
FLASHING	A problem has been detected, either over-temperature, over-current or problem with the switching system. The output is OFF

Output:	#1	#2	#3	#4	#5	#6
Max. Current:	20Amps	10Amps	10Amps	10Amps	10Amps	10Amps



\*Optional (Required only if current requirements for output 1+2+3 exceed 30 Amps)

### WARRANTY

SoundOff Signal warrants the 6 OUTPUT SOLID STATE REMOTE SWITCHING SYSTEM (ETRS06) for 1 (one) full year from date of purchase, to the original purchaser, against any manufactured defects or workmanship. This warranty applies only to units installed according to manufacturer's installation instructions and operated within the units specifications.

Warranty is void if the unit was installed incorrectly or maliciously damaged.

All warranty claims must be accompanied by a dated proof of purchase.

SoundOff Signal retains the right to be the sole mediator of what constitutes defects in performance or manufacturing.