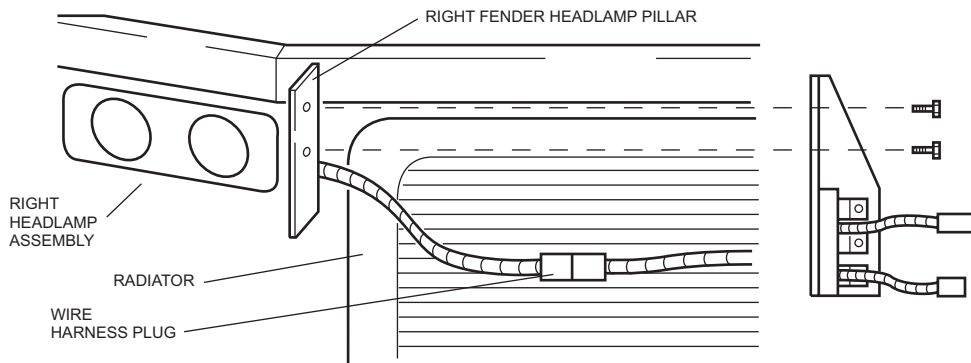


INSTALLATION FOR IMPALA POLICE PACKAGE HEADLIGHT FLASHER (2000 - 2005 VEHICLES) ETHIMPO



NOTE: WEATHER SEAL ALL CONNECTIONS

INSTRUCTIONS:

1. Loosen and remove the two bolts on the Right Fender Headlamp Pillar.
2. Position the Flasher as shown. Reinstall the Headlamp bolts and tighten.
3. Pull apart the wire harness plug and connect to the matching Flasher Plugs.
4. With the 6J3 option: connect the red wire to a ON/OFF switch. Connect the end of the switch to a source of +12 volt power.
5. Without the 6J3 option: using an extra length of wire, "T" one end into the Flasher's red wire. Route the other end of the extra wire to a switch in the vehicle. Connect the extra wire to the switch and the other part of the switch to +12 Vdc.

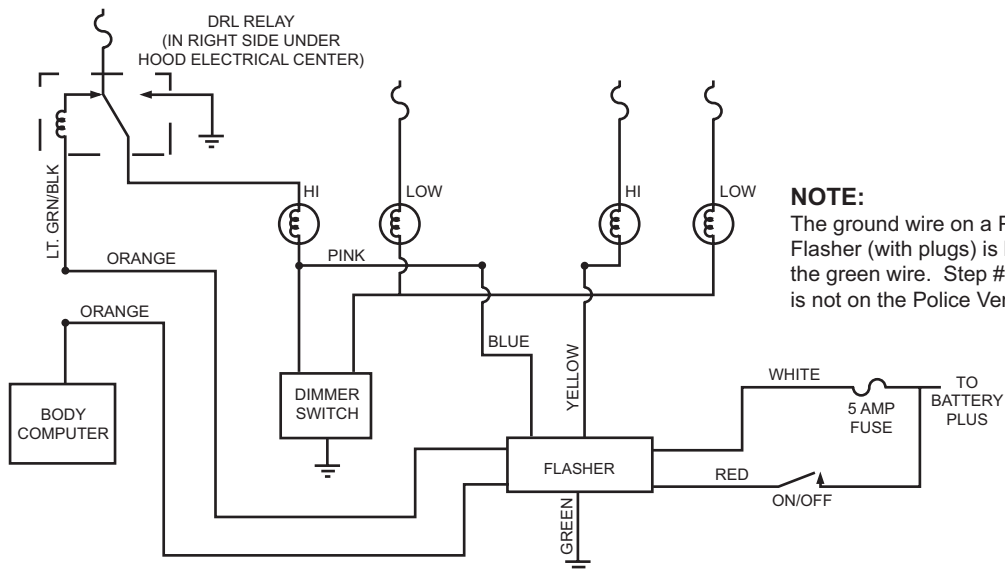
WIRING FOR IMPALA NON-POLICE PACKAGE (2000 -2005 VEHICLES) AND MONTE CARLO NON-POLICE PACKAGE VEHICLES ETPP00CG, ETQS00CG, ETRR00CG

FLASHER INSTALLATION:

1. Find the light green/black wire that runs between the Body Computer and the DRL Relay. Cut it. Connect an orange Flasher wire to both ends of the cut wire.
2. Find the pink wire that connects the two high beams together. Cut it. Connect the Flasher blue wire to one piece of the cut wire and the yellow to the other half of the cut wire.
3. Connect the Flasher green wire to ground.
4. Connect the Flasher white wire through a fuse to the Battery Plus Terminal.
5. Connect the Flasher red wire to a switch. Connect the other end of the switch to a source of plus power.
6. Black wire (optional): "T" into the vehicle's marker light wire for automatic night time cutoff.

The DRL's light green with black trace wire is located in the wire harness that exits the Under Hood Electrical Center and goes to a large plug.

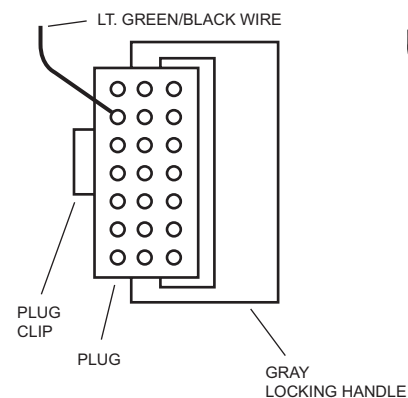
This plug is approximately 8 inches below and 6 inches in front of the Under Hood Electrical Center. The light green with black trace wire terminates at pin A2 in this plug in the 2000 Impala and B1 in the 2001-2005 Impala. SEE DRAWING BELOW.



NOTE:

The ground wire on a Police Version Flasher (with plugs) is black and replaces the green wire. Step #6 (black wire option) is not on the Police Version Flasher.

2000 IMPALA



2001-05 IMPALA

