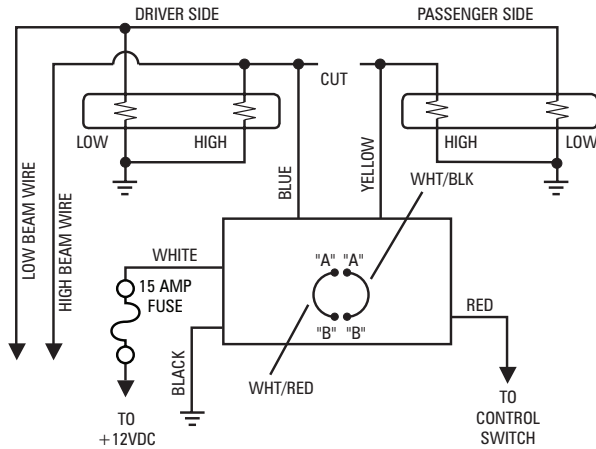
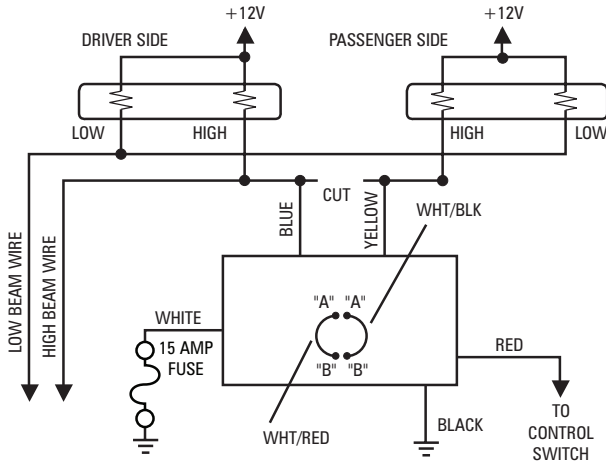


# POSITIVE OR GROUND HEADLIGHT FLASHER WITH SELECT-A-PATTERN TECHNOLOGY

ETHF00-SP



## POSITIVE SIDE SWITCHED HEADLIGHTS



## GROUND SIDE SWITCHED HEADLIGHTS

Please see reverse for Technical Specifications



The ETHF00-SP will operate a two or four headlight system on most vehicles with a 8-30Vdc power source. The flasher gives you 3 different flash patterns in 1 flasher.

A properly installed ETHF00-SP has 3 operating modes built into 1 flasher. Mode 1 will alternate (wig-wag) the headlights at 1.9 flashes / second. Mode 2 will alternate the headlights at 3.0 flashes / second. Mode 3 consists of an alternating double flash. When used at night, the low beam headlights remain ON for proper illumination while the high beams flash to gain attention and increase the vehicle's visibility. When the dimmer switch is activated to high beam, the flasher system's "High beam over-ride" interrupts the flasher sequence to allow normal high beam function. Flashing automatically resumes when the dimmer switch is de-activated.

## INSTALLATION

Mount the Flasher near the battery at the front of the engine compartment.

## WIRING

The following applies to both positive and ground side switched headlight systems:

**WHITE/RED LOOP WIRE:** Used to select pattern. Follow matrix on reverse side of sheet to obtain desired pattern.

**WHITE/BLACK LOOP WIRE:** Used to select pattern. Follow matrix on reverse side of sheet to obtain desired pattern.

**BLACK WIRE:** Connect to reliable ground.

**RED WIRE:** Connect to a switch through a 2 Amp Fuse.

**NOTE TO INSTALLER:** If you have any questions regarding what type of system your vehicle has, check our Technical Service page on our web site ([www.soundoffsignal.com](http://www.soundoffsignal.com)) or contact SoundOff Signal's Technical Service Department at 1-800-338-7337.

**INCORRECTLY INSTALLING THE FLASHER MAY CAUSE PERMANENT DAMAGE TO VEHICLE ELECTRONICS.**

## Positive Side Switched Headlights

**WHITE WIRE:** Connect to +8-30Vdc through a 15A ATO style fuse.

**BLUE and YELLOW WIRE:** Locate the wire that supplies power to the passenger side high beam headlight. Cut this wire approximately 10-12" from the back of the headlight. Connect the **YELLOW WIRE** to the lead returning to the passenger side headlight and **BLUE WIRE** to the other lead. This will flash the driver side highbeam headlight.

## Ground Side Switched Headlights

**WHITE WIRE:** Connect through a 15A ATO style fuse to a reliable ground.

**BLUE and YELLOW WIRE:** Locate the wire that supplies ground to the passenger side high beam headlight. Cut this wire approximately 10-12" from the back of the headlight. Connect the **YELLOW WIRE** to the lead returning to the passenger side headlight and **BLUE WIRE** to the other lead. This will flash the driver side highbeam headlight.

**Note:** Some vehicles may require that the low beam headlights are turned ON before the high beam headlights will flash.

To review our Limited Warranty Statement & Return Policy for this or any SoundOff Signal product please visit our website at [www.soundoffsignal.com](http://www.soundoffsignal.com) and select the "Warranty & Returns" link along the left column of our home page. If you have questions regarding this product please contact Technical Services, Monday - Friday, 8 am to 5 pm at 1.800.338.7337, press #4 to skip the automated message. Questions or comments that do not require immediate attention may be emailed to [techsupport@soundoffsignal.com](mailto:techsupport@soundoffsignal.com).

1.800.338.7337. / [www.soundoffsignal.com](http://www.soundoffsignal.com) / Thank you for trusting us with your safety!

# POSITIVE OR GROUND HEADLIGHT FLASHER WITH SELECT-A- PATTERN TECHNOLOGY

ETHF00-SP

ELECTRICAL SPECIFICATIONS	
Input Voltage	8-30Vdc
Output Current:	9.5 Amps / output
Standby Current:	< 10mA
Number of Flash Patterns:	3 (Maximum)

Flash Patterns	
Flash Pattern Modes	F.P.S. (Flashes per Second)
1. RoadRunner™	1.9 f.p.s. Slow Alternating
2. PowerPulse™	3.0 f.p.s. Fast Alternating
3. Double Flash	3.0 f.p.s Fast Double Flash Alternating

## OPTION #1: SINGLE FLASH PATTERN

Cut loop wire and tape-off at both ends of cut wire. The Flasher will NOT be activated until power is applied to the RED wire.

SINGLE FLASH PATTERN		
	WHITE/BLACK	WHITE/RED
MODE#1 - 1.9 f.p.s. LOOP	LOOP	LOOP
MODE#2 - 3.0 f.p.s. CUT	LOOP	CUT
MODE#3 - Double LOOP	CUT	LOOP

## OPTION #2: SELECTABLE FLASH PATTERN

Cut loop wire and tape-off end "A". Connect end "B" to switch connected to +12v. The Flasher will NOT be activated until power is applied to the RED wire.

SELECTABLE FLASH PATTERN		
	WHITE/BLACK	WHITE/RED
MODE#1 - 1.9 f.p.s. 12Vdc	12Vdc	12Vdc
MODE#2 - 3.0 f.p.s. 0Vdc	12Vdc	0Vdc
MODE#3 - Double 12Vdc	0Vdc	12Vdc

