

HEAVY DUTY-50 AMP ALTERNATING FLASHER SYSTEM (ETA50)

Congratulations! You are now the proud owner of the most technically advanced, true 100% Solid State Heavy Duty Flasher System in the market today. Add to it our never ending commitment to quality, this new Flasher System will provide you with years of dependable trouble free service.

The SoundOff Signal Heavy Duty - 50 Amp Flasher will operate up to eight 55 watt lights (or sixteen 32 candle power lights) on any vehicle with a 12 VDC negative ground system. A properly installed Heavy Duty - 50 Amp Flasher will alternate lights at a constant flash rate of 1.8 or 3.0 flashes per second.

NOTE

DO NOT connect this Flasher to the vehicle's headlight or tail/brake light system!

INSTALLATION

MOUNTING: Mount the Flasher so that the maximum amount of air will flow across it or to an aluminum surface.

TERMINAL 2: Connect to a convenient reliable ground.

NOTE

Always connect the Ground wire FIRST when installing and disconnect LAST when removing!

TERMINAL 3: Optional Slave Connection. See reverse side for chaining multiple Heavy Duty - 50 Amp Flashers.

TERMINAL 4 (for slow alternating flash): Connect to a powered switch. This switch will require 1/4 amp to activate slow flashing function.

NOTE

Use either Terminal 4 for switch connection or Terminal 5, DO NOT use simultaneously.

TERMINAL 5 (for fast alternating flash): Connect to a powered switch. This switch will require 1/4 amp to activate fast flashing function.

TERMINAL 6, 7, 8, & 9: Connect to lights (maximum of 25 amps per terminal). Ensure lights are properly grounded.

Terminals 7 & 9 and 6 & 8 flash simultaneously (6 alternates with 7 and 8 alternates with 9).

NOTE

Use a 14 gauge (minimum) jumper wire to connect terminals 7 and 9 or 6 and 8 if 50 amps is to be drawn off single posts per side (ie. all lights are connected to terminals 6 and 7 only). See Figure 2.

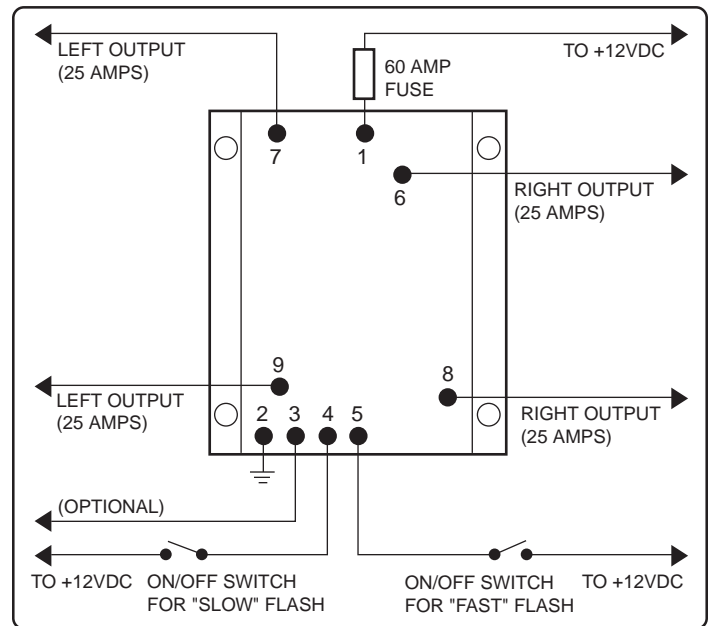


Figure 1.

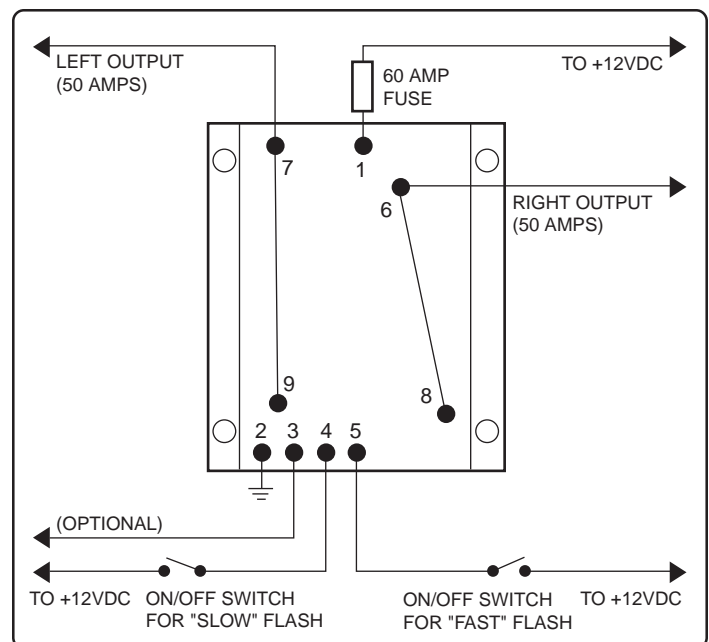


Figure 2.

TERMINAL 1: Connect through a 60 amp fuse directly to the positive post of the battery or other high current power source. We recommend the use of a fuse only - **DO NOT CONNECT THE FLASHER SYSTEM TO A CIRCUIT BREAKER OR FUSIBLE LINK.**

MULTIPLE FLASHER CHAINING

If you need to flash more than 50 amps worth of lighting, you may chain multiple 50 amp alternating flashers together to provide synchronized operation from a single switch.

Terminal 3 (on Slave unit): Connect to Terminal 7 on Master unit.

Terminal 4 & 5 (on Slave unit): Connect terminals together and attach to either Terminal 4 or 5 on the Master unit, whichever is being used.

Connect remaining terminals as specified on the front page.

WARRANTY

SoundOff Signal warrants the ETAF50 Solid State Electronic Flasher System for five (5) years from the date of purchase to the original purchaser against any manufacturer defects or workmanship. This warranty applies only to units installed according to manufacturer's installation instructions and operated within the units specifications.

SoundOff Signal's obligation under this warranty is limited to repairing or exchanging the unit. Exchanging units under this warranty is as follows: 100% of purchase price for the first two years, 75% of purchase price the 3rd year, 50% of purchase price the 4th year, and 25% of purchase price the 5th year.

Warranty is void if the unit was installed incorrectly or maliciously damaged.

All warranty claims must be accompanied by a dated proof of purchase.

SoundOff Signal retains the right to be the sole mediator of what constitutes defects in performance or manufacturing.

Covered by U.S. Patents #4114071 & 4309639

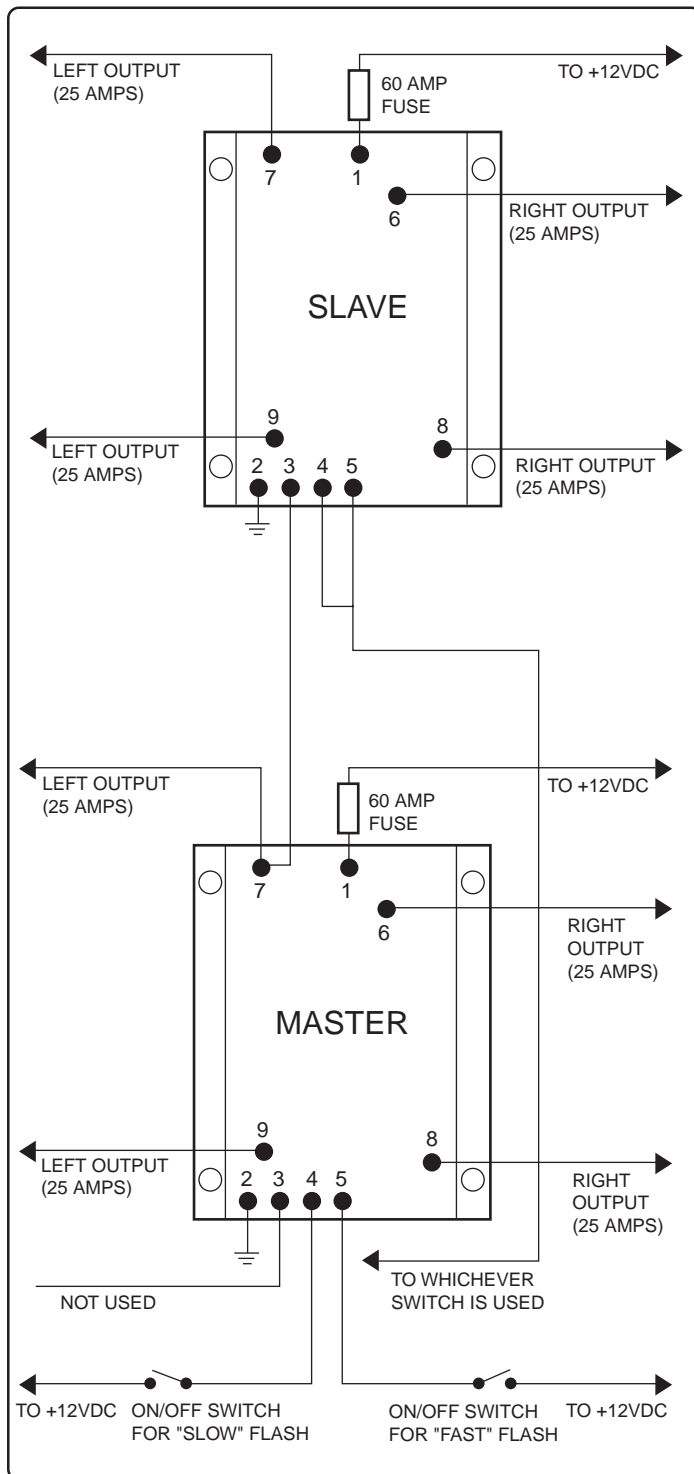


Figure 3.