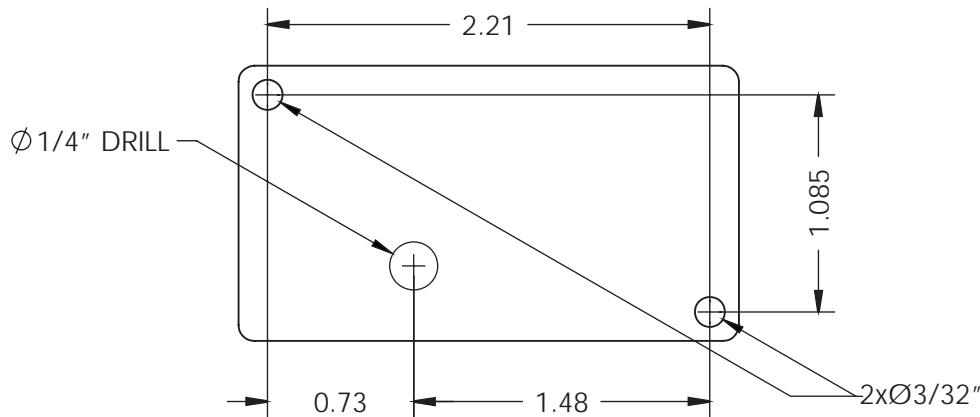


# StrobeWise™

Next Generation Vehicle Safety

## LED3 Mini Light for StrobeWise™

ESW130SBA



## INSTALLATION

### LIGHT-HEAD

The light head should be center mounted (approximately along the center line of the vehicle) allowing following drivers to clearly see the light head. Light-head can be mounted inside or outside of the rear window or surface mounted to the rear body of the vehicle. Take care not to mount the light-head where human activities might jar and alter the alignment. Both light head and control module have mounting holes. Mounting hardware is provided for the light head.

For other light head options see our web site.

## OPERATION:

Connect Light module to ESWC100 or ESWC300 Primary or secondary Outputs ONLY. Connections to any other device, or operating modules independently will void warranty. Modules have no flash patterns and are not meant for Steadyon operation.

NOTE: The LED3 Mini Light is a factory sealed unit that CANNOT be serviced in the field. Any attempt to gain access to the LED3 Mini Light unit will most likely cause permanent damage and void its warranty.

### TECHNICAL SPECIFICATIONS

Overall Dimensions:	4.5"H x 2.36"W x 1.25"D
Input Voltage Range:	12Vdc
Current Consumption:	<0.5 amp
# of LEDs:	3 Generation 3 LEDs
Operating Temperature:	-40° to +65° C

### ⚠ WARNING

This product contains high intensity LED devices. To prevent eye damage, DO NOT stare into light beam at close range.



To review our Limited Warranty Statement & Return Policy for this or any SoundOff Signal product please visit our website at [www.soundoffsignal.com](http://www.soundoffsignal.com) and select the "Warranty & Returns" link along the left column of our home page. If you have questions regarding this product please contact Technical Services, Monday - Friday, 8 am to 5 pm at 1.800.338.7337, press #4 to skip the automated message. Questions or comments that do not require immediate attention may be emailed to [techsupport@soundoffsignal.com](mailto:techsupport@soundoffsignal.com).

1.800.338.7337. / [www.soundoffsignal.com](http://www.soundoffsignal.com) / Thank you for trusting us with your safety!