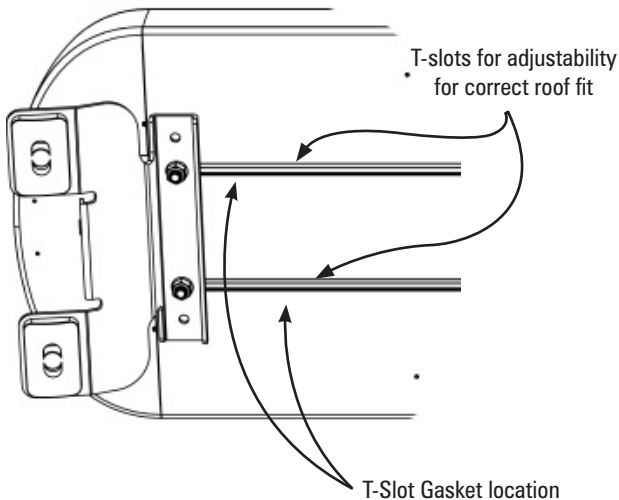


FIXED HEIGHT BRACKETS AND HOOK MOUNTING

1. Slide 5/16 carriage bolts into extrusion t-slots. Place mounting foot onto slots and tighten foot with washer and nut, ensuring the use of either a lock washer or lock nut
2. Temporarily place lightbar in its correct position on the roof of the vehicle. The bar should be positioned about the center of the vehicle B pillar. Determine the appropriate position of the mounting feet brackets on the lightbar to the vehicle roof and reposition mounting feet as needed.
3. Install supplied vehicle specific hook brackets using supplied 1/4"-20 x 2.5 Hex Head bolts onto the bar mounting foot as shown. Nut is attached to mounting foot to prevent turning and improve ease of installation.
4. Using the vehicle specific hook brackets as a template, drill 4 pilot holes using a #30 (.128 dia.) drill bit on each side of the vehicle.
5. Secure each vehicle specific hook brackets by using the 8 supplied #8 x 1/2" Truss Head Sheetmetal screws, 4 per side.
6. Tighten each vehicle specific hook bracket to mounting foot by turning the 1/4" -20 x 2.5 Hex head bolt clockwise until bar is snug and no side to side or fore to aft movement occurs. Tighten to 50 in lbs max
7. Route cables into vehicle. Use supplied rubber grommet in roof for sealing/ protection of wires. It is recommended that silicone be placed around grommet to ensure roof sealing.



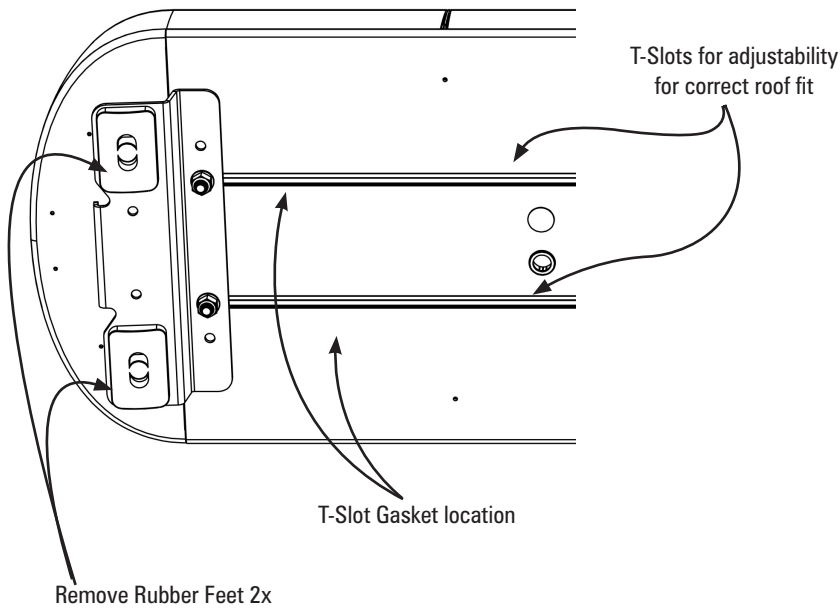
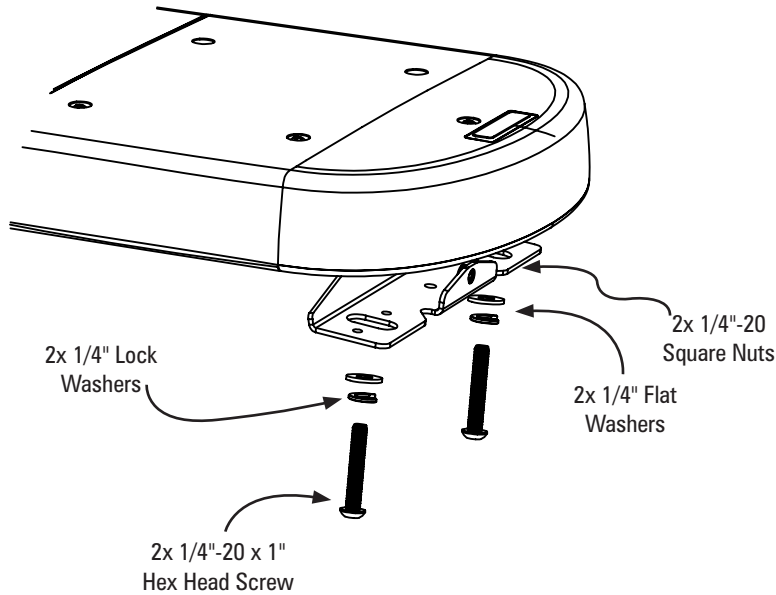
⚠ WARNING

Route wires only in locations that are not subjected to potential wear. Make sure to avoid routing wires in the deployment area of your air bag. Refer to your vehicle's owner's manual for airbag deployment zone.

IMPORTANT INFORMATION:

Warning devices are strictly regulated and governed by Federal, State and Municipal ordinances. These devices shall be used ONLY on approved vehicles. It is the sole responsibility of the user of these devices to ensure compliance.

To review our Limited Warranty Statement & Return Policy for this or any SoundOff Signal product, visit our website at www.soundoffsignal.com/sales-support. If you have questions regarding this product, contact **Technical Services**, Monday - Friday, 8 a.m. to 5 p.m. at **1.800338.7337** (press #4 to skip the automated message). Questions or comments that do not require immediate attention may be emailed to techservices@soundoffsignal.com.



FIXED HEIGHT BRACKETS PERMANENT MOUNTING

1. Locate the permanent hardware kit that is included.
2. Slide 5/16 carriage bolts into extrusion t-slots. Place mounting foot onto slots and tighten foot with washer and nut, ensuring the use of either a lock washer or lock nut.
3. Temporarily place lightbar in its correct position on the roof of the vehicle. The bar should be positioned about the center of the vehicle B pillar. Determine the appropriate position of the mounting feet brackets on the lightbar to the vehicle roof and reposition mounting feet as needed.
4. Remove the rubber feet.
5. Measure and/or mark the 2 holes in roof to match mounting feet locations. See warning messages below. Drill holes for 1/4" bolts (F drill).
6. Install hardware as shown in image to the left.
7. Route cables into vehicle. Use supplied rubber grommet in roof for sealing/ protection of wires. It is recommended that silicone be placed around grommet to ensure roof sealing.

⚠ WARNING

Care must be taken when drilling through the roof of the vehicle not to drill into any existing wiring and not to drill through the headliner or support members of the vehicle. Check both sides of the mounting service prior to drilling. De-burr any holes and remove any metal shards or remnants. Install grommets into all wire passage holes.

⚠ WARNING

Route wires only in locations that are not subjected to potential wear. Make sure to avoid routing wires in the deployment area of your air bag. Refer to your vehicle's owner's manual for airbag deployment zone.

IMPORTANT INFORMATION:

Warning devices are strictly regulated and governed by Federal, State and Municipal ordinances. These devices shall be used ONLY on approved vehicles. It is the sole responsibility of the user of these devices to ensure compliance.

To review our Limited Warranty Statement & Return Policy for this or any SoundOff Signal product, visit our website at www.soundoffsignal.com/sales-support. If you have questions regarding this product, contact **Technical Services**, Monday - Friday, 8 a.m. to 5 p.m. at 1.800.338.7337 (press #4 to skip the automated message). Questions or comments that do not require immediate attention may be emailed to techservices@soundoffsignal.com.