

LED3 SURFACE MOUNT SPOTLIGHT WIDE ANGLE OPTICS/STEADY BURN

EL3SSCW 10-16Vdc
EL3SS30CW 10-30Vdc



⚠ WARNING *Please see next page for Technical Specifications*

- HIGH CURRENT interconnects must be properly terminated. Poor crimp quality can cause heat build-up and fire. Follow crimp connector manufacturer instructions.
- DO NOT install this product or route any wires in the Air Bag Deployment Zone. Refer to vehicle Owner's Manual for deployment zones.
- Do NOT use system to disconnect headlights, brake lights or other safety equipment.
- Unit may become hot to touch during normal operation.
- Failure to properly install connectors, fuses or wiring may cause vehicle failure or fire.
- Installation must only be performed by trained technician. Installer must determine vehicle wiring configuration and proper integration of system.
- Use proper wire gauge. All power wires connecting to positive (+) or negative (-) battery terminal or local chassis ground (-) must be sized to supply at least 125% of max. current and properly fused at power source.
- Install protective grommets when routing wire through firewall or metal.

INSTALLATION:

IMPORTANT: DO NOT over tighten mounting screws or nuts. This could cause permanent damage to the light.

1. Locate flat mounting location for the LED3 Light.
2. When the position of LED3 is determined use paper template on next page to drill hole locations. Screw mounting holes should be drilled using a 3/32" drill bit. Wire entry holes should be drilled using a 1/4" drill bit.
3. Make electrical connections.
4. Using supplied #6 x 3/4" screws, fasten LED3 to mounting surface. Be sure not to overtighten screws as this will cause hole in mounting surface to strip out. Be sure that supplied gasket is mounted between mounting surface and LED3.

OPERATION:

NOTE: The LED3 is a factory sealed unit that CANNOT be serviced in the field. Any attempt to gain access to the LED3 unit will most likely cause permanent damage and void its warranty.

IMPORTANT: DO NOT connect this device to a strobe power supply.

OPERATING INSTRUCTIONS

1. Connect the LED3 BLACK wire to a good, convenient ground.
2. Connect the LED3 RED wire to one side of a user supplied on/off switch. Connect the other side of the switch, through a 5Amp fuse, to a source of +Vdc power.

WIRE HOOK-UP TABLE

WIRE COLOR:	CONNECT TO:
RED	Power (+Vdc)
BLACK	Ground (-)

⚠ WARNING

This product contains high intensity LED devices. To prevent eye damage, DO NOT stare into the light beam at close range.

NOTICE:

Installers and users must comply with all applicable federal, state and local laws regarding use and installation of warning devices.

Improper use or installation may void warranty coverage.

To review our Limited Warranty Statement & Return Policy for this or any SoundOff Signal product, visit our website at www.soundoffsignal.com/tech-services/returns/. If you have questions regarding this product, contact **Technical Services**, Monday - Friday, 8 a.m. to 5 p.m. or after hours 5 p.m. to 8 p.m. ET at 1.800.338.7337 (press #4). Questions or comments that do not require immediate attention may be emailed to techservices@soundoffsignal.com.

SUPERIOR CUSTOMER RELATIONSHIPS. SMARTLY DESIGNED LIGHTING & ELECTRONIC SOLUTIONS.

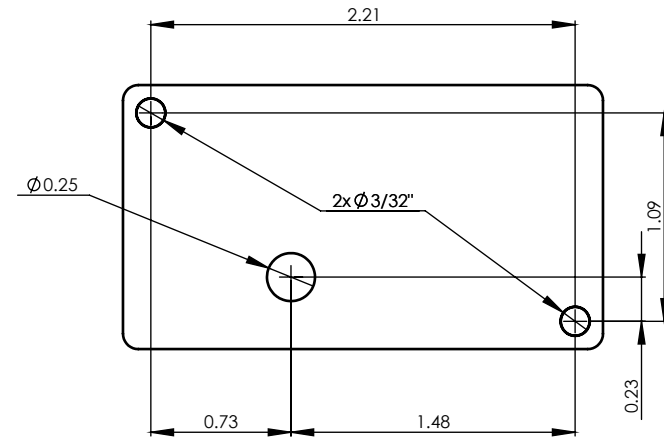
**SoundOff
Signal**

LED3 SURFACE MOUNT SPOTLIGHT WIDE ANGLE OPTICS/STEADY BURN

EL3SSCW 10-16Vdc
EL3SS30CW 10-30Vdc

TECHNICAL SPECIFICATIONS	
Overall Dimensions:	2.5"W x 1.375"H x 1.25"D
Input Voltage Range:	10-16Vdc <u>OR</u> 10-30Vdc
Current Consumption:	<0.4 amps
Light Sync Technology:	No
# of LEDs:	3 Generation 3 LEDs
Operating Temperature:	-40° to +65° C

Drill Template for Mounting Holes/Cord Entry (See note below)



TO USE THE ABOVE LAYOUT AS A TEMPLATE MEASURE THE LINE BELOW. IF THE SCALE IS CORRECT THE LINE WILL BE 3" LONG. IF IT IS NOT, ENLARGE OR REDUCE ON A COPIER CAPABLE OF SUCH SCALING.

NOTICE:

Installers and users must comply with all applicable federal, state and local laws regarding use and installation of warning devices.

Improper use or installation may void warranty coverage.

To review our Limited Warranty Statement & Return Policy for this or any SoundOff Signal product, visit our website at www.soundoffsignal.com/tech-services/returns/. If you have questions regarding this product, contact **Technical Services**, Monday - Friday, 8 a.m. to 5 p.m. or after hours 5 p.m. to 8 p.m. ET at 1.800.338.7337 (press #4). Questions or comments that do not require immediate attention may be emailed to techservices@soundoffsignal.com.

SUPERIOR CUSTOMER RELATIONSHIPS. SMARTLY DESIGNED LIGHTING & ELECTRONIC SOLUTIONS.

