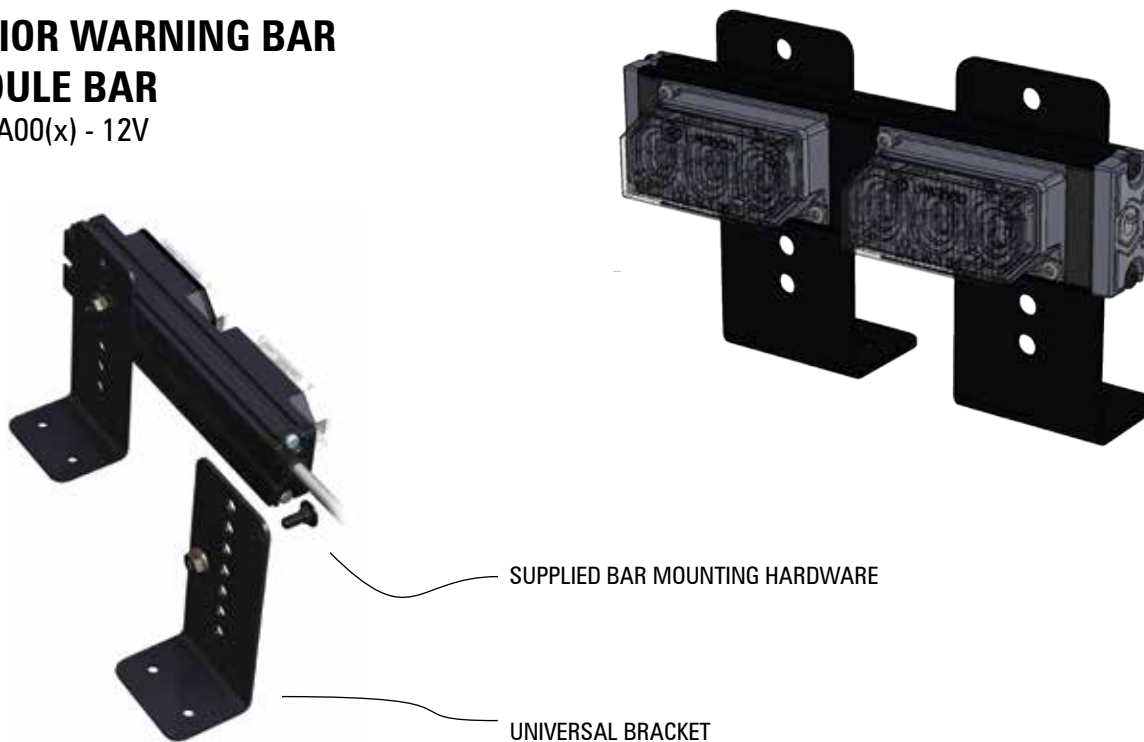


**ULTRALITE PLUS
EXTERIOR WARNING BAR
2 MODULE BAR
EL3PD02A00(x) - 12V**



INSTALLATION:

Before starting the installation make certain you have the correct bracket for your application. A universal Deck/Dash mount bracket is supplied. For other mounting brackets, see product literature or visit our website.

Install the UltraLITE by following the assembly instructions provided with the brackets and check for security.

Important: DO NOT over tighten mounting screws or nuts. This could cause permanent damage to the light or bracket. Use appropriate hardware for mounting.

Universal bracket shown is supplied but mounting screws are customer supplied.

⚠ WARNING Please see reverse for Technical Specifications

- HIGH CURRENT interconnects must be properly terminated. Poor crimp quality can cause heat build-up and fire. Follow crimp connector manufacturer instructions.
- DO NOT install this product or route any wires in the Air Bag Deployment Zone. Refer to vehicle Owner's Manual for deployment zones.
- Do NOT use system to disconnect headlights, brake lights or other safety equipment.
- Unit may become hot to touch during normal operation.
- Failure to properly install connectors, fuses or wiring may cause vehicle failure or fire.
- Installation must only be performed by trained technician. Installer must determine vehicle wiring configuration and proper integration of system.
- Use proper wire gauge. All power wires connecting to positive (+) or negative (-) battery terminal or local chassis ground (-) must be sized to supply at least 125% of max. current and properly fused at power source.
- Install protective grommets when routing wire through firewall or metal.

NOTICE:

Installers and users must comply with all applicable federal, state and local laws regarding use and installation of warning devices.

Improper use or installation may void warranty coverage.

To review our Limited Warranty Statement & Return Policy for this or any SoundOff Signal product, visit our website at www.soundoffsignal.com/tech-services/returns/. If you have questions regarding this product, contact **Technical Services**, Monday - Friday, 8 a.m. to 5 p.m. or after hours 5 p.m. to 8 p.m. ET at 1.800.338.7337 (press #4). Questions or comments that do not require immediate attention may be emailed to techservices@soundoffsignal.com.

⚠ WARNING
This product contains high intensity LED devices. To prevent eye damage, DO NOT stare into the light beam at close range.



ULTRALITE PLUS EXTERIOR WARNING BAR 2 MODULE BAR

EL3PD02A00(x) - 12V

TECHNICAL SPECIFICATIONS

Overall Dimensions:	6.9"L x 1.54"H x 1.7"D
Flash Patterns:	33 flash patterns
Input Voltage Range:	10 - 16 Vdc
Current Consumption:	< 1 amp*
# of LEDs:	6 Generation 3 LEDs
Operating Temperature:	-40° to +65° C

*Pattern Dependent

Flash Patterns	
Alternating Patterns	FPM (Flashes per Minute)
1. Quint	70
2. Warp	350
3. Inter-Cycle Flash	
4. Double Flash	70
5. Quad Flash	80
6. Power Pulse	180
7. RoadRunner	113
8. Q-Switch	
9. RoadRunner Steady Burn	113
10. Quad Steady Burn	80
11. E-Ideal Single Flash	200
12. E-Ideal Double Flash	146
13. Quad2 Flash	67
14. Double2 Flash	95
15. X-Warp	
16. X-Double	
17. PowerRunner	
18. LCR Quint	
19. Warp ³	
20. UltraWarp	545
21. Thunder and Lightning	
22. LiteSpeed	85
23. SuperSonic	170
24. LCR LiteSpeed	
25. SuperSonic Ultra	
26. TempoShift	
27. TempoShift Warp	
28. SBE2	67
29. C ²	200
30. U ²	176
31. UltraGlow	
32. Cyclone	
33. Chameleon	

OPERATION:

1. Connect black wire to ground.
2. Connect red wire to +12Vdc through 5A fuse.
3. Apply +12Vdc to white wire for less than one second (momentary) to move forward one pattern.
4. Apply +12Vdc to white wire for one second (until the lights dim) to move to the first pattern.
5. Apply +12Vdc to white wire for more than two seconds (until the lights turn off) to turn off the UltraLITE.
6. To turn the unit back on, apply +12Vdc to the white wire momentarily.

