

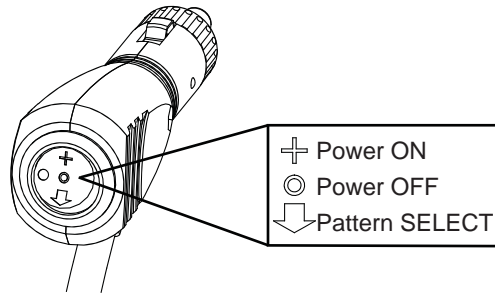
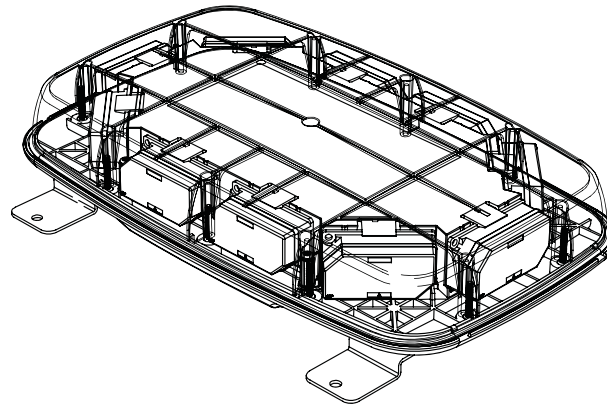


3900 Central Parkway
 Hudsonville, MI 49426
 toll free 800.338.7337
 office 616.896.7100
 techsupport@soundoffsignal.com
 www.soundoffsignal.com

LED3 MINI LIGHTBAR PERMANENT MOUNT INSTALLATION INSTRUCTIONS EL3MBP+(x)C



by SoundOff Signal



Electrical Connections & Flash Pattern Selection:

See diagram above for Power ON (+), Power OFF (O) and Pattern SELECT (↓) switch positions. Turn the light on by pressing the Power ON button. To change the flash pattern press and hold the PATTERN SELECT button for one (1) second. The LED3 Mini Lightbar will advance one (1) flash pattern and flash the new pattern immediately. The LED3 Mini Lightbar features non-volatile memory and will recall last pattern used. Selected pattern will remain the default and can be changed by selecting a different flash pattern before turning unit off.

WARNING: Warning devices are strictly regulated and governed by Federal, State and Municipal ordinances. These devices shall be used ONLY on approved vehicles. It is the sole responsibility of the user of these devices to ensure compliance.

Installation:

- 1) Determine a clean, flat location (typically roof) on the vehicle to mount the LED3 Mini Lightbar. The LED3 Mini Lightbar comes with two (2) steel brackets which should be used to permanently mount the light bar to a vehicle roof or similar horizontal surface.
- 2) Position the bar with brackets attached and mark hole centers. Center punch or drill pilot holes for a 1/4" sheet metal screw (customer supplied).
- 3) Place a locking washer over the screw and securely fasten the brackets to the mounting surface. The screws and holes should be caulked with a silicone based material to prevent leakage. **DO NOT OVERTIGHTEN!**
- 4) Run cable to cigarette lighter and plug-in.

Do not install this product or route any any wires in the air bag deployment zone. Refer to your vehicle Owner's Manual for the location of any air bag deployment zones.

⚠ WARNING
 This product contains high intensity LED devices. To prevent eye damage, DO NOT stare into light beam at close range.

LED3 MINI LIGHTBAR FLASH PATTERNS ALTERNATING PATTERNS

	Rate (Flashes Per Minute)
1. Warp	353 FPM
2. Quad	81 FPM
3. Quad2	67 FPM
4. Quint	71 FPM
5. Double2	95 FPM
6. Warp1,2,3	Variable
7. Progressive	Variable
8. Q-Switch	Variable
9. Intercycle	Variable

SOLID PATTERNS	Rate
10. Warp	176 FPM
11. Quad	41 FPM
12. Quad2	34 FPM
13. Quint	35 FPM
14. Double2	48 FPM
15. Warp 1,2,3	Variable
16. Progressive	Variable
ROTATING PATTERNS	Rate
17. 1x1 Rotator	545 FPM
18. 2x2 Rotator	545 FPM
19. 9-1 Rotator	600 FPM

RANDOM PATTERNS	Rate
20. Quint flash (corners and ends)	71 FPM
21. Quad (in and out)	81 FPM
22. Rotating Alternating	375 FPM
23. Cycle 1	Variable
24. Cycle 2	Variable