



3900 Central Parkway  
 Hudsonville, MI 49426  
 toll free 800.338.7337  
 office 616.896.7100  
 techsupport@soundoffsignal.com  
 www.soundoffsignal.com

**WARNING:** Warning devices are strictly regulated and governed by Federal, State and Municipal ordinances. These devices shall be used ONLY on approved vehicles. It is the sole responsibility of the user of these devices to ensure compliance.

**MOUNTING INSTRUCTIONS**

Before starting the installation make certain you have the correct bracket for your application. A universal zbracket is supplied. The product is also designed for surface mounting. Drill holes where required in the mounting surface. The bolts provided can slide back and forth in the bar's rear channel to align with the mounting holes.

Install the UltraLITE by following the assembly instructions provided with the brackets and check for security.

Important: DO NOT over tighten mounting screws or nuts. This could cause permanent damage to the light or bracket. Use appropriate hardware for mounting.

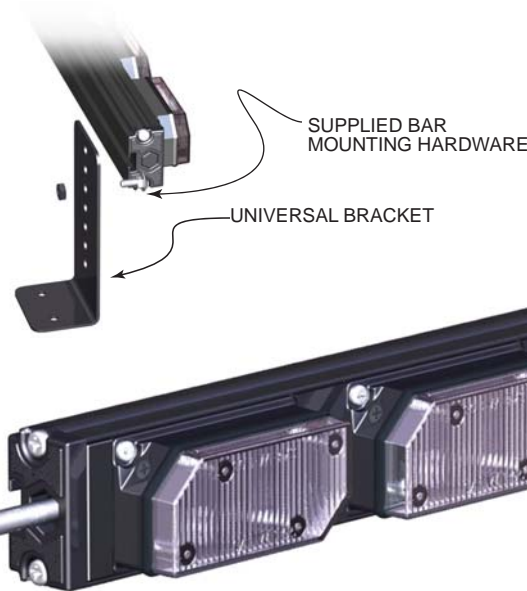
Universal bracket shown is supplied but mounting screws are customer supplied.

**PATTERN SELECTION**

1. Connect black wire to ground.
2. Connect red wire to +Vdc
3. Apply +Vdc to white wire for less than one second (momentary) to move forward one pattern.
4. Apply +Vdc to white wire for one second (until the lights dim) to move backwards one pattern
5. Apply +Vdc to white wire for more than two seconds (until the lights turn off) to turn off the UltraLITE.
6. To turn the unit back on, apply +Vdc to the white wire momentarily.

**⚠ WARNING**

This product contains high intensity LED devices. To prevent eye damage, DO NOT stare into light beam at close range.



**FLASH PATTERNS**

#	Pattern Name	
1	Quint Flash	Alternating
2	Warp Flash	Alternating
3	Inter-cycle Flash	Alternating
4	Double Flash	Alternating
5	Quad Flash	Alternating
6	3 Flashes / Second	Alternating
7	3 Flashes / Second	Simultaneous
8	Q-Switch	Alternating
9	Driver Side	Steady Burn
	Passenger Side	Road Runner Flash
10	Driver Side	Steady Burn
	Passenger Side	Quint Flash
11	E-Pattern Single Flash	Alternating
12	E-Pattern Double Flash	Alternating
13	E-Pattern Single Flash	Simultaneous
14	E-Pattern Double Flash	Simultaneous
15	Q-Switch	Every other
16	LiteRyder	Slow Sweep
17	LiteRyder 2	Fast Sweep
18	Progressive	Alternating
19	Center	Steady Burn
	Ends	RoadRunner Flash - Alternating
20	Center	Steady Burn
	Ends	Intercycle - Alternating
21	Center	Steady Burn
	Ends	Q-Switch - Alternating



Exterior Warning Bar

**4 MODULE EXTERIOR BAR**

ASSEMBLY INSTRUCTIONS

12v: EL3DØ4AØØ(x)

10-30v: EL3DØ4AØØ(x)-24

**WIRE HOOK-UP TABLE**

Wire Color	Connect to:
Red	+Vdc
Black	Ground (-)
White	Pattern Select

Input Voltage (+Vdc): EL3DØ4AØØ(x) 10-16Vdc  
 EL3DØ4AØØ(x)-24 10-30Vdc  
 Current: 2 Amps Maximum

