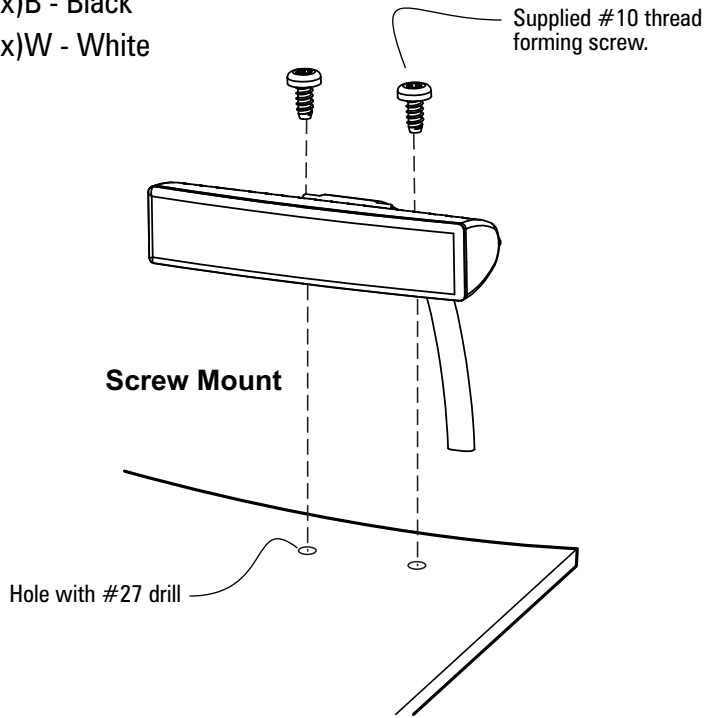


GHOST®

GHOST® PERMENANT MOUNT STEADY WHITE

EGHSTS4(x)B - Black
EGHSTS4(x)W - White



INSTALLATION:

- Screw Mount** - Establish a position on the vehicle. Use the mounting slots as a template to mark hole locations. Drill a hole using a #27 drill bit. The Torx screws provided are self-tapping.
- Loosen the two #10 TORX screws on the back of each housing to adjust the angle of the GHOST. After adjustment, tighten the TORX screws.

WIRE HOOK-UP TABLE

WIRE COLOR:	CONNECT TO:
RED	+ 10-30Vdc
BLACK	Ground (-)
WHITE	+ 10-30Vdc

⚠ WARNING

This product contains high intensity LED devices. To prevent eye damage, DO NOT stare into light beam at close range.

OPERATION:

WIRE CONNECTIONS

- Connect the GHOST BLACK wire to a good, convenient ground.
- Connect the GHOST RED and WHITE wire to one side of a user supplied on/off switch. Connect the other side of the switch, through a 3Amp fuse, to a source of + 10-30Vdc. Both RED and WHITE wires **MUST** be connected to power.

NOTE: The GHOST is a factory sealed unit that CANNOT be serviced in the field. Any attempt to gain access to the GHOST unit will most likely cause permanent damage and void its warranty.

TECHNICAL SPECIFICATIONS

Overall Dimensions:	4.0"L x 0.88"H x 1.75"D
Input Voltage Range:	10-30Vdc
Current Consumption:	0.45A @ 12.8Vdc 0.23 @ 25.6Vdc
# of LEDs:	6 Generation 3 LEDs
Operating Temperature:	-40° to +65° C

Important Information:

- DO NOT install this product or route any wires in the Air Bag Deployment Zone. Refer to your vehicle Owner's Manual for the location of any air bag deployment zones.
- DO NOT connect this device to a strobe power supply. This product is self-contained and does not require an external power supply.

IMPORTANT INFORMATION:

Warning devices are strictly regulated and governed by Federal, State and Municipal ordinances. These devices shall be used ONLY on approved vehicles. It is the sole responsibility of the user of these devices to ensure compliance.

To review our Limited Warranty Statement & Return Policy for this or any SoundOff Signal product, visit our website at www.soundoffsignal.com/sales-support. If you have questions regarding this product, contact **Technical Services**, Monday - Friday, 8 a.m. to 5 p.m. at 1.800.338.7337 (press #4 to skip the automated message). Questions or comments that do not require immediate attention may be emailed to techservices@soundoffsignal.com.

**SoundOff
Signal**
Smart Design.

1.800.338.7337 / www.soundoffsignal.com

SUPERIOR CUSTOMER RELATIONSHIPS. SMARTLY DESIGNED LIGHTING & ELECTRONIC SOLUTIONS.