

GHOST®

GHOST® SINGLE RECESS MOUNT LIGHT ECE CERTIFIED

SINGLE LIGHT

- EGHSTE5(x)B - Black
- EGHSTE5(x)W - White
- EGHSTE5(x)C - Chrome

GHOST® SINGLE RECESS MOUNT LIGHT XYLEX LENS - ECE CERTIFIED

SINGLE LIGHT

- EGHSTE5(x)B-EU - Black
- EGHSTE5(x)W-EU - White
- EGHSTE5(x)C-EU - Chrome

Please see reverse for
Technical Specifications

⚠ WARNING

- HIGH CURRENT interconnects must be properly terminated. Poor crimp quality can cause heat build-up and fire. Follow crimp connector manufacturer instructions.
- DO NOT install this product or route any wires in the Air Bag Deployment Zone. Refer to vehicle Owner's Manual for deployment zones.
- Do NOT use system to disconnect headlights, brake lights or other safety equipment.
- Unit may become hot to touch during normal operation.
- Failure to properly install connectors, fuses or wiring may cause vehicle failure or fire.
- Installation must only be performed by trained technician. Installer must determine vehicle wiring configuration and proper integration of system.
- Use proper wire gauge. All power wires connecting to positive (+) or negative (-) battery terminal or local chassis ground (-) must be sized to supply at least 125% of max. current and properly fused at power source.
- Install protective grommets when routing wire through firewall or metal.



Note: Lens shown is representative only.

⚠ WARNING

This product contains high intensity LED devices. To prevent eye damage, DO NOT stare into the light beam at close range.

NOTICE:

Installers and users must comply with all applicable federal, state and local laws regarding use and installation of warning devices.

Improper use or installation may void warranty coverage. To review our Limited Warranty Statement & Return Policy for this or any SoundOff Signal product, visit our website at www.soundoffsignal.com/support/. If you have questions regarding this product, contact **Technical Services**, Monday - Friday, 8 a.m. to 5 p.m. or after hours 5 p.m. to 8 p.m. EST at 1.800.338.7337 (press #4 to skip the automated message). Questions or comments that do not require immediate attention may be emailed to techservices@soundoffsignal.com.

INSTALLATION:

1. Determine a clean, flat location on the vehicle to mount the GHOST light.
2. Using template on reverse side, mark and drill holes in 4 corners. Holes to be Ø0.46" (approx. Ø15/32").
3. Carefully cut sheet metal and ensure there are no sharp edges.
4. Press gasket into opening.
5. Make electrical connections.
6. Test light.
7. Press light into gasket.

OPERATION:

WIRE CONNECTIONS

See setup procedure on second page.

The single GHOST comes equipped with an internal flasher with 3 user selectable patterns that can be synchronized either alternating or simultaneous with up to three other lights.

1. Connect the GHOST BLACK wire to a good, convenient ground.
2. Connect the GHOST RED wire to one side of a user supplied on/off switch. Connect the other side of the switch, through a 5Amp fuse, to a source of +10-30Vdc.
3. Cruise mode is activated by applying power to BROWN wire while RED wire is powered. NOTE: Cruise mode is STEADY-ON at 20% light output.
4. To sync lights and make pattern selections see reverse side.

WIRE HOOK-UP TABLE

WIRE COLOR:	CONNECT TO:
RED	+ 10-30Vdc
BLACK	Ground (-)
WHITE	ID/Pattern Select
BROWN WIRE	+ 10-30Vdc

SoundOff Signal

1.800.338.7337 / www.soundoffsignal.com

SUPERIOR CUSTOMER RELATIONSHIPS. SMARTLY DESIGNED LIGHTING & ELECTRONIC SOLUTIONS.

EGHSTE5(xx) 07.17

GHOST

RECESS MOUNT ECE65 CERTIFIED w/ STANDARD LENS

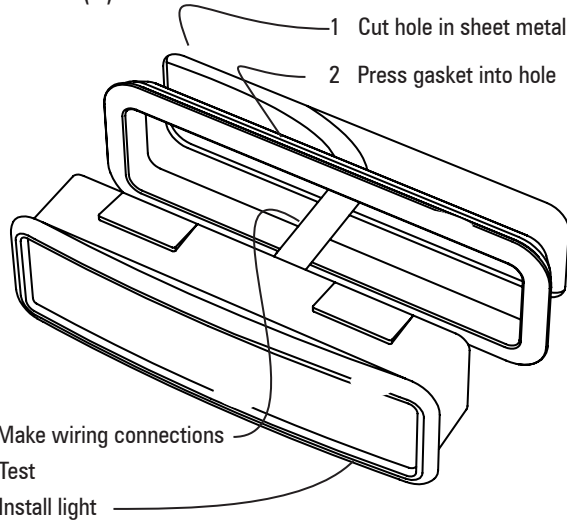
SINGLE LIGHT

- EGHSTE5(x)B - Black
- EGHSTE5(x)W - White
- EGHSTE5(x)C - Chrome

RECESS MOUNT ECE65 CERTIFIED w/ XYLEX LENS

SINGLE LIGHT

- EGHSTE5(x)B-EU - Black
- EGHSTE5(x)W-EU - White
- EGHSTE5(x)C-EU - Chrome



NOTE:
The GHOST is a factory sealed unit that **CANNOT** be serviced in the field. Any attempt to gain access to the GHOST unit will most likely cause permanent damage and void its warranty.

SoundOff
Signal

1.800.338.7337 / www.soundoffsignal.com

ONE (1) LIGHT

Single Light Operation: Follow the ID Selection steps and set the ECE GHOST to ID#1 if it is not already.

TWO (2) LIGHTS

ALTERNATING: To obtain Alternating patterns, follow the ID SELECTION steps and set one ECE GHOST to ID#1 and the other to ID#3. Then proceed to the PATTERN SELECTION steps.

SIMULTANEOUS: To obtain Simultaneous patterns, follow the ID SELECTION steps and set both ECE GHOST lights to ID#1. Then proceed to PATTERN SELECTION steps.

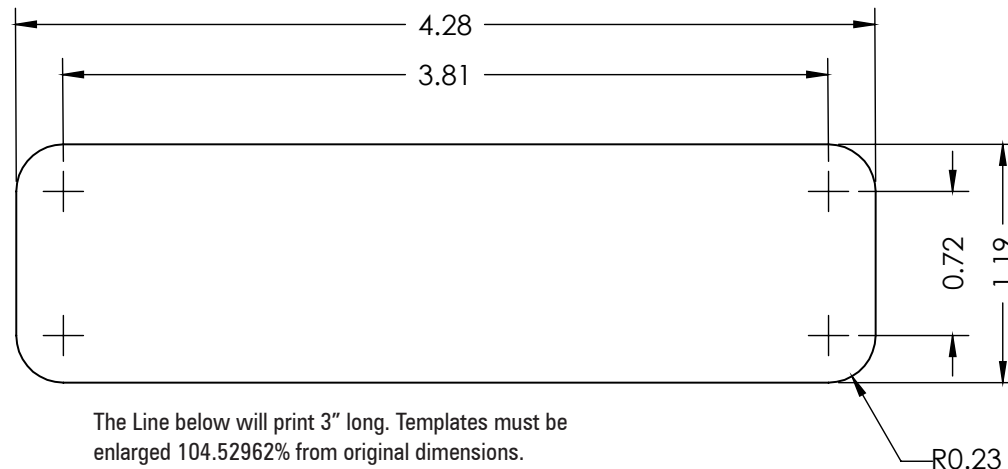
SLAVE MODE

GHOST does not support Slave Mode.

PATTERN RESET

1. Remove power
2. Place WHITE (sync) wire to ground
3. With sync wire grounded, re-power RED wire
4. Maintain for one second (light will dim)
5. Remove power and ground (pattern 1 set)

TECHNICAL SPECIFICATIONS	
Overall Dimensions:	1.55" H x 4.67" W x 0.98" D
Input Voltage Range:	10 - 30 Vdc
Current Consumption:	0.75 Amps max / module (flash pattern dependent)
# of LEDs:	6 Generation 3 LEDs
Light Sync Technology:	Yes
Operating Temperature:	-40° to +65° C
Cruise Light Mode:	Yes



ECE GHOST Sync Configuration Instructions IMPORTANT! A MAXIMUM OF 4 SINGLE LIGHTS CAN BE SYNCED TOGETHER

1. Set ID#
 - a. Identify which pattern and sequence you want and look up ID# settings at right.
 - b. Connections
 - i. RED: +12Vdc
 - ii. WHT: +12Vdc (Note: you will need to disconnect after power is applied)
 - iii. BLK: Ground
 - c. Apply power to unit
 - d. Without disconnecting power from unit, disconnect WHT wire
 - e. Momentarily connect WHT to Ground to change ID #
 - i. Identify ID# by number of sequential flashes
 - ii. Possible ID#s: 1 - 4
 - f. Disconnect power from unit to get out of ID mode.
2. Set Pattern
 - a. Reapply power to units.
 - b. Once all Light Head ID#s are configured, make sure all lights are flashing the same pattern
 - c. Connect corresponding colored wires of all units together: RED to RED, etc.
 - d. Change Pattern
 - i. Momentarily touch WHT wires to Ground
 - ii. Observe pattern change on all lights connected
 - e. Insulate all wires by taping with electrical tape
3. Connect Master Switch for Application
 - a. IMPORTANT! Ensure WHT Pattern/Sync Wires are tied together

Flash Patterns	
Pattern Name	FPM (Flashes per Minute)
1. Single	125
2. Double	125
3. Triple	123