

GHOST®

GHOST® RECESS MOUNT LED MINI LIGHT

EGHST5(x)B - Black Housing
EGHST5(x)C - Chrome Housing
EGHST5(x)W - White Housing
NOTE: "(x)" in Part Number = LED Color.



Please see next page for
Technical Specifications

Important Information:

- Warning devices are strictly regulated and governed by Federal, State and Municipal ordinances. These devices shall be used ONLY on approved vehicles. It is the sole responsibility of the user of these devices to ensure compliance.
- DO NOT install this product or route any wires in the Air Bag Deployment Zone. Refer to your vehicle Owner's Manual for the location of any air bag deployment zones.
- DO NOT connect this device to a strobe power supply. This product is self-contained and does not require an external power supply.

Note: Lens shown is
representative only.

INSTALLATION:

- 1 Determine a clean, flat location on the vehicle to mount the FLUSH MOUNT GHOST LIGHT.
- 2 Using template on next page, mark and drill holes in 4 corners. Holes to be Ø0.46" (approx. Ø15/32")
- 3 Carefully cut sheet metal and ensure there are no sharp edges.
- 4 Press gasket into opening.
- 5 Make electrical connections.
- 6 Test light.
- 7 Press light into gasket.

OPERATION:

- 1 Make secure connections as shown in Wire Hook-Up Table below.
- 2 To sync light and make pattern selections see reverse side.

WIRE HOOK-UP TABLE

WIRE COLOR:	CONNECT TO:
RED	+10-30Vdc
BLACK	Ground (-)
WHITE	ID/Pattern Select

⚠ WARNING

This product contains high intensity LED devices. To prevent eye damage, DO NOT stare into the light beam at close range.

IMPORTANT INFORMATION:

Warning devices are strictly regulated and governed by Federal, State and Municipal ordinances. These devices shall be used ONLY on approved vehicles. It is the sole responsibility of the user of these devices to ensure compliance.

To review our Limited Warranty Statement & Return Policy for this or any SoundOff Signal product, visit our website at www.soundoffsignal.com/sales-support.
If you have questions regarding this product, contact **Technical Services**, Monday - Friday, 8 a.m. to 5 p.m. at **1.800.338.7337** (press #4 to skip the automated message).
Questions or comments that do not require immediate attention may be emailed to techservices@soundoffsignal.com.

**SoundOff
Signal**
Smart Design.

1.800.338.7337 / www.soundoffsignal.com

SUPERIOR CUSTOMER RELATIONSHIPS. SMARTLY DESIGNED LIGHTING & ELECTRONIC SOLUTIONS.



GHOST® RECESS MOUNT LED MINI LIGHT

- EGHST5(x)B - Black Housing
- EGHST5(x)C - Chrome Housing
- EGHST5(x)W - White Housing

NOTE: "(x)" in Part Number = LED Color.

2 SINGLE LIGHTS

Follow the ID selection steps and set the GHOST to the following ID:

- IMPORTANT: Make sure both lights flash the same pattern!**
- Both assemblies simultaneous with individual lights alternating.
 - Example: Driver/Passenger sim; Dr. (left alt right) Pass. (left alt right)
 - Set both GHOST Assemblies to ID#1
- Both assys. alternating with individual lights alternating.
 - EX: Dr./Pass. alt; Dr. (left. alt. right.) Pass. (right alt. left)
 - Set one GHOST to ID#1 and the other to ID#3
- Both assys. alternating with individual lights simultaneous
 - EX: Dr./Pass. alt; Dr. (left sim left) Pass. (right sim right)
 - Set one GHOST to ID#2 and the other to ID#4
- Both assys. simultaneous with individual lights simultaneous.
 - EX: Dr./Dr. sim; Dr. (left sim left) Pass. (right sim right)
 - Set both Ghost housings to ID#2

X-PATTERN - To obtain X-Patterns, follow the ID SELECTION steps and set one of the four GHOST lights to ID#1, one to ID#2, one to ID#3, and one to ID#4. Then proceed to the PATTERN SELECTION steps.

NOTE: Be sure to mount each GHOST in the correct placement based on ID#.

PATTERN SELECTION

1. Disconnect WHITE wire from any connections if applicable.
2. Turn GHOST ON.
3. Momentarily touching and removing the WHITE wire(s) to ground will advance the GHOST to the next flash pattern. Touching and removing the White wire for more than a few seconds will allow you to change the GHOST to the previous pattern. See flash pattern table. Continuing to touch and remove the WHITE wire(s) to ground will allow you to scroll through the pattern list. After pattern #33 is reached the list will start over again at pattern #1.

X-Pattern Sequence

ID#1 > ID#4 > ID#2 > ID#3

X-Pattern Light Head Placement

ID#4	ID#2
ID#3	ID#1

NOTE: The GHOST is equipped with flash pattern memory. Once you have selected a pattern the GHOST will always activate to that pattern every time the unit is turned on. Tape up and secure WHITE wire so that it will not accidentally change your selected pattern.

Ghost Sync Configuration Instructions
IMPORTANT! A MAXIMUM OF 4 SINGLE LIGHTS CAN BE SYNCED TOGETHER

1. Set ID#
 - a. Identify which pattern and sequence you want and look up ID# settings at left.
 - b. Connections
 - i. RED: +10-30Vdc
 - ii. WHT: +10-30Vdc (Note: you will need to disconnect after power is applied)
 - iii. BLK: Ground
 - c. Apply power to unit
 - d. Without disconnecting power from unit, disconnect WHT wire
 - e. Momentarily connect WHT to Ground to change ID #
 - i. Identify ID# by number of sequential flashes
 - ii. Possible ID#s: 1 – 4
 - f. Disconnect power from unit to get out of ID mode.
2. Set Pattern
 - a. Reapply power to units.
 - b. Once all Light Head ID#s are configured, make sure all lights are flashing the same pattern.
 - c. Connect corresponding colored wires of all units together: RED to RED, etc.
 - d. Change Pattern
 - i. Momentarily connect WHT wires to Ground
 - ii. Observe pattern change on all lights connected
 - e. Insulate all wires by taping with electrical tape
3. Connect Master Switch for Application
 - a. **IMPORTANT!** Ensure WHT Pattern/Sync Wires are tied together

PATTERN RESET

1. Remove power
2. Place WHITE (sync) wire to ground
3. With sync wire grounded, re-power RED wire
4. Maintain for one second (light will dim)
5. Remove power and ground (pattern 1 set)

SLAVE MODE

GHOST does not support Slave Mode.

Flash Patterns

Pattern Name	1 Light	Alternating 2 Lights	Simultaneous 2 Lights	X-Pattern 4 Lights	FPM. (Flashes / Minute)
1. Quint	x	x	x		70
2. Warp	x	x	x		350
3. Inter-Cycle Flash	x	x			
4. Double Flash	x	x	x		70
5. Quad Flash	x	x	x		80
6. PowerPulse	x	x	x		180
7. RoadRunner	x	x	x		113
8. Q-Switch	x	x			
9. RoadRunner Steady Burn	x	x			113
10. Quad Steady Burn	x	x			80
11. E-Ideal Single Flash	x	x	x		200
12. E-Ideal Double Flash	x	x	x		146
13. Quad2 Flash	x	x	x		67
14. Double2 Flash	x	x	x		95
15. X-Warp				x	
16. X-Double				x	
17. PowerRunner	x	x	x		
18. LCR Quint	x	x	x		
19. Warp?	x	x	x		
20. Ultra Warp	x	x	x		545
21. Thunder & Lightning	x	x			
22. Lite Speed	x	x	x		85
23. SuperSonic	x		x		170
24. LCR Lite Speed	x	x	x		
25. SuperSonic Ultra	x	x	x		
26. Tempo Shift	x	x	x		
27. Tempo Shift Warp	x	x	x		
28. SBE2	x	x	x		67
29. C ²	x	x	x		200
30. U ²	x	x	x		176
31. Ultra Glow	x	x	x		
32. Cyclone	x	x	x		
33. Chameleon	x	x	x		

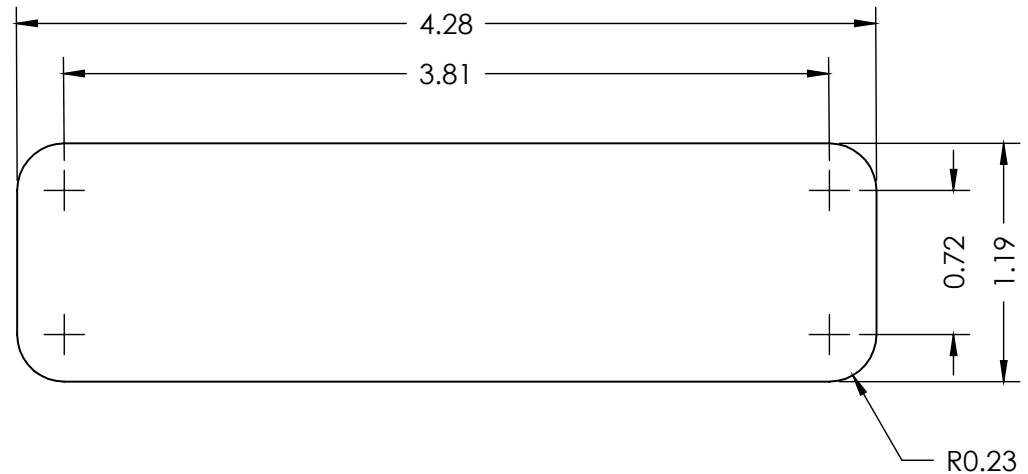
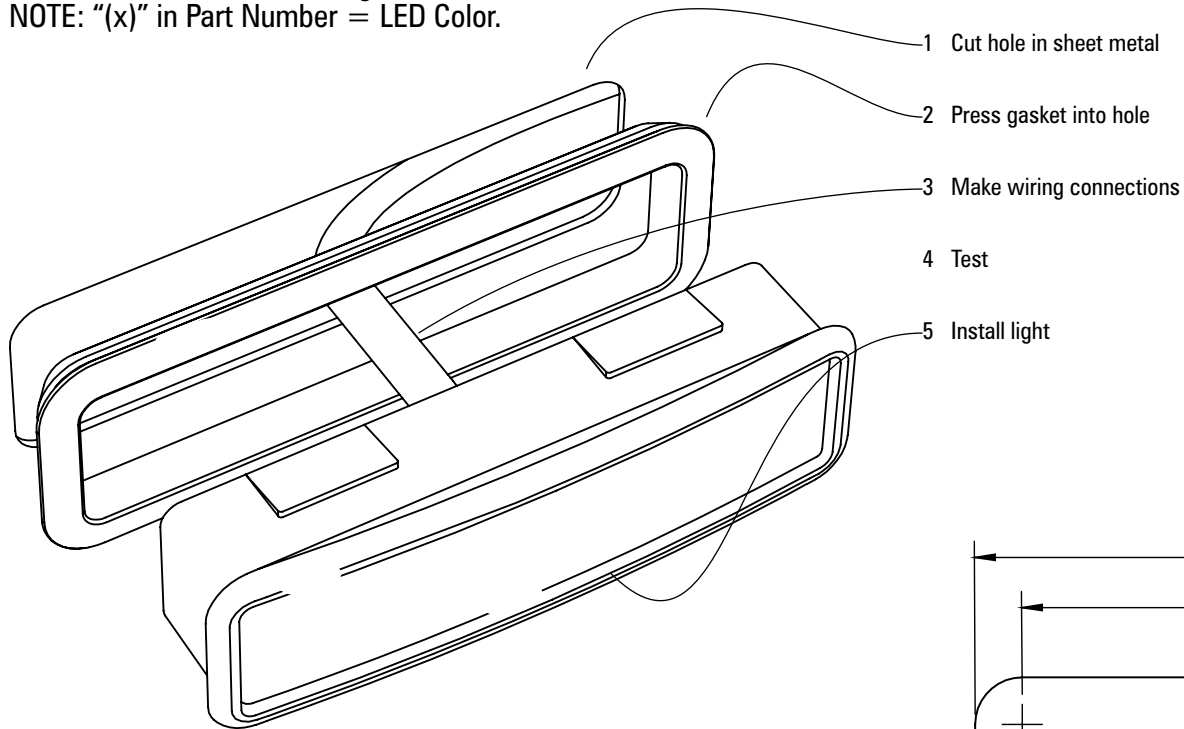
GHOST®

GHOST® RECESS MOUNT LED MINI LIGHT

EGHST5(x)B - Black Housing
EGHST5(x)C - Chrome Housing
EGHST5(x)W - White Housing
NOTE: "(x)" in Part Number = LED Color.

TECHNICAL SPECIFICATIONS	
Overall Dimensions:	1.55"H x 4.67"W x 0.98"D
Flash Patterns:	33 flash patterns
Input Voltage Range:	10 - 30 Vdc
Current Consumption:	~0.75 Amps /module*
# of LEDs:	6 Generation 3 LEDs
Light Sync Technology:	Yes
Operating Temperature:	-40° to +65° C

*Pattern Dependent



SoundOff
Signal
Smart Design.

1.800.338.7337 / www.soundoffsignal.com



**GHOST® RECESS MOUNT LED
MINI LIGHT**

EGHST5(x)B - Black Housing

EGHST5(x)C - Chrome Housing

EGHST5(x)W - White Housing

NOTE: "(x)" in Part Number = LED Color.

THIS PAGE LEFT BLANK