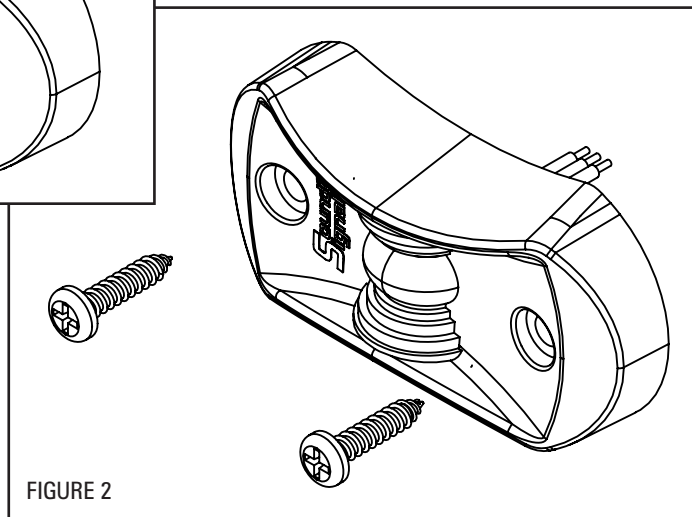
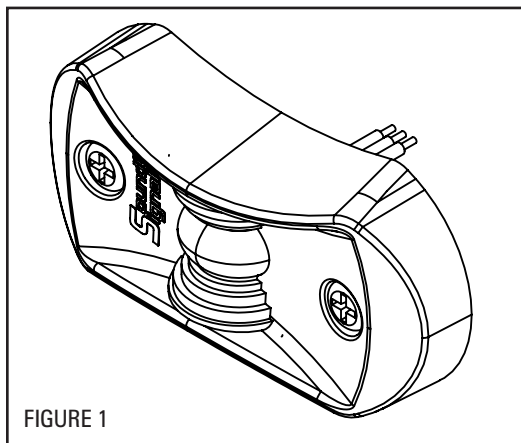


# FUSION LED LIGHT

#EFL1(x)5(x)



## INSTALLATION:

1. Establish a position on the vehicle on a level surface. Orient the light output level on the horizon.
2. Use the screw holes in the assembly as a template to mark locations of wire and mounting screws.
3. Use a 5/16" diameter drill for the wire holes
4. Size pilot holes for mounting screws appropriately.
5. Fasten light using mounting screws. Do not torque mounting screws beyond 20 in - lbs.

## WIRE HOOK-UP TABLE

WIRE COLOR:	CONNECT TO:
RED	+Vdc
BLACK	Ground (-)
WHITE	Pattern Select/Sync
GREEN	Group Flash
YELLOW	50% Power

## ⚠ WARNING

*Please see last page for Technical Specifications*

- HIGH CURRENT interconnects must be properly terminated. Poor crimp quality can cause heat build-up and fire. Follow crimp connector manufacturer instructions.
- DO NOT install this product or route any wires in the Air Bag Deployment Zone. Refer to vehicle Owner's Manual for deployment zones.
- Unit may become hot to touch during normal operation.
- Failure to properly install connectors, fuses or wiring may cause vehicle failure or fire.
- Installation must only be performed by trained technician. Installer must determine vehicle wiring configuration and proper integration of system.
- Use proper wire gauge. All power wires connecting to positive (+) or negative (-) battery terminal or local chassis ground (-) must be sized to supply at least 125% of max. current and properly fused at power source.
- Install protective grommets when routing wire through firewall or metal.

## NOTICE:

Installers and users must comply with all applicable federal, state and local laws regarding use and installation of warning devices.

*Improper use or installation may void warranty coverage. To review our Limited Warranty Statement & Return Policy for this or any SoundOff Signal product, visit our website at [www.soundoffsignal.com/sales-support](http://www.soundoffsignal.com/sales-support). If you have questions regarding this product, contact **Technical Services**, Monday - Friday, 8 a.m. to 5 p.m. at 1.800.338.7337 (press #4 to skip the automated message). Questions or comments that do not require immediate attention may be emailed to [techservices@soundoffsignal.com](mailto:techservices@soundoffsignal.com).*

**SoundOff  
Signal**  
Smart Design.

1.800.338.7337 / [www.soundoffsignal.com](http://www.soundoffsignal.com)

SUPERIOR CUSTOMER RELATIONSHIPS. SMARTLY DESIGNED LIGHTING & ELECTRONIC SOLUTIONS.

## ⚠ WARNING

This product contains high intensity LED devices. To prevent eye damage, DO NOT stare into the light beam at close range.

# FUSION LED LIGHT

#EFL1(x)5(x)

Tech Specs	Fusion Lite
Flash Patterns:	6 Flash Patterns
Light Sync:	Yes
Technology:	1 Gen3 LED
Mounting:	Surface Mount
Input Voltage:	10 - 30 Vdc
Current Draw:	less than 0.1 amps
Dimensions:	Width x Height x Depth 3.125" (79.4 mm) W x 1.5" (38.5 mm) H x .75" (19.5 mm) D
Operating Temp.:	-20° to +65° C

Flash Patterns				
Pattern Name	SAE Pattern	ECE Pattern	1 Light	F.P.M. (Flashes / Minute)
1. Warp	x		x	353
2. Power Pulse	x		x	182
3. Road Runner	x		x	113
4. ECE Single		x	x	62
5. ECE Double		x	x	144
6. Quad	x		x	81

## PATTERN SELECT

1. With light powered, touch White wire to Red Power wire for 1 second.

## PATTERN RESET

1. With light powered, touch White wire to Red wire for 3 seconds.
2. Remove White wire from power. Pattern resets to 1.

## SYNC MULTIPLE LIGHTS

1. Set up all lights to the same pattern
2. Connect White wires of all lights to sync together.
  - a. Note, only 6 lights can be synced together.
  - b. Insulate connections
3. Green Wire Connection
  - a. For Simultaneous Flashing of a group of lights:
    - i. Connect all Green wires together of the group of lights desired to flash in unison.
    - ii. All Green wires connected together form one light group
  - b. For alternating flashing of a group of lights:
    - i. Connect one group of Green wires to Power (+Vdc)
    - ii. These lights will flash in unison.
    - iii. Connect one group of Green wires together but leave floating.
    - iv. These lights will flash in unison.
    - v. Together, both light groups will alternate.
    - vi. For two lights simply connect one Green wire to Power (+Vdc) and leave the other Green wire floating.
    - vii. Insulate connections.

## NOTICE:

Installers and users must comply with all applicable federal, state and local laws regarding use and installation of warning devices.

*Improper use or installation may void warranty coverage. To review our Limited Warranty Statement & Return Policy for this or any SoundOff Signal product, visit our website at [www.soundoffsignal.com/sales-support](http://www.soundoffsignal.com/sales-support). If you have questions regarding this product, contact **Technical Services**, Monday - Friday, 8 a.m. to 5 p.m. at **1.800.338.7337** (press #4 to skip the automated message). Questions or comments that do not require immediate attention may be emailed to [techservices@soundoffsignal.com](mailto:techservices@soundoffsignal.com).*

SUPERIOR CUSTOMER RELATIONSHIPS. SMARTLY DESIGNED LIGHTING & ELECTRONIC SOLUTIONS.

