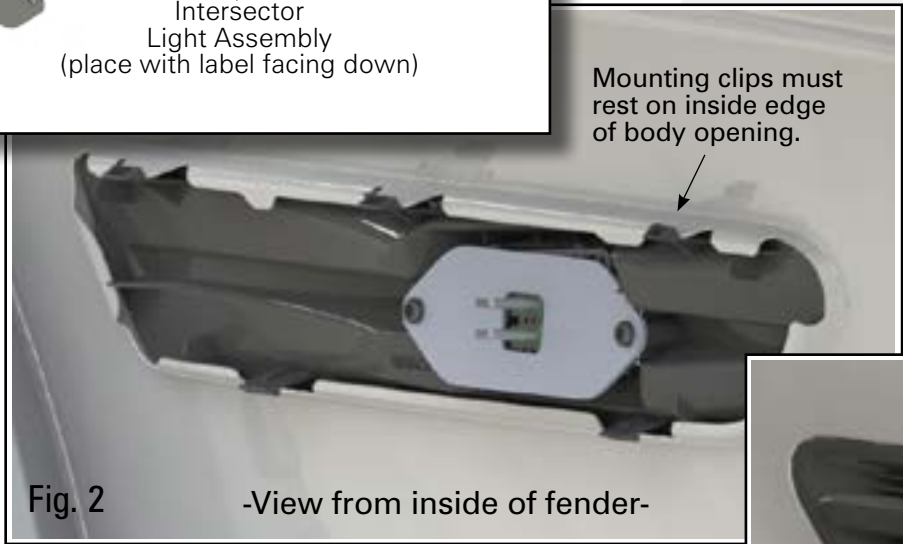
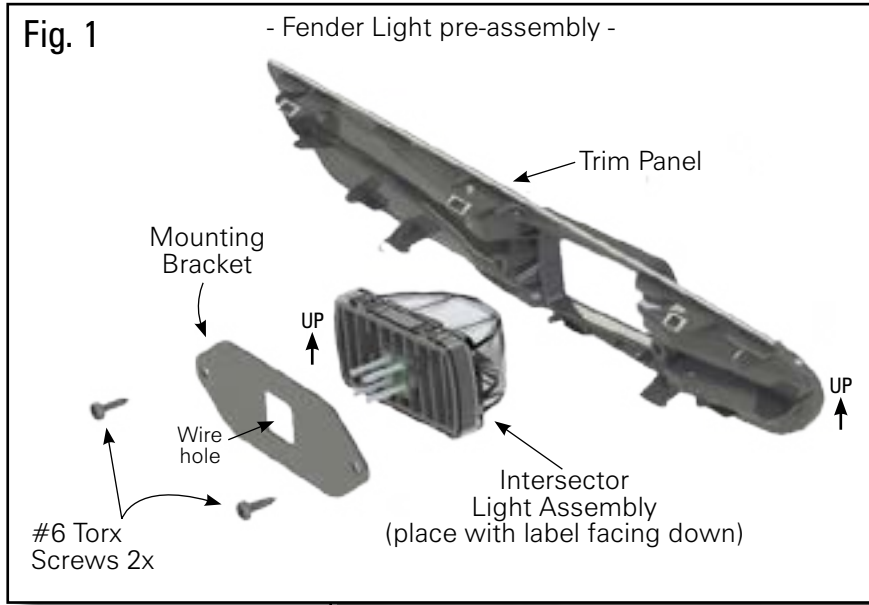




COMPASS FENDER LIGHT
ECPNTKC1B(xx) - GM CAPRICE



- INSTALLATION:**
1. Remove the vent panel from the vehicle per manufacturers instructions.
 2. Run the Intersecor Light cable through the wire hole in the mounting bracket as shown in figure 1.
 3. Run the cable assembly into the fender and install to the power source. See page 2.
 4. Install the Intersecor Light between the Trim Panel and the Mounting Bracket. Use the 2 supplied #6 Torx Screws to attach the Mounting Bracket to the Trim Panel. Tighten Snug. See Figure 1.
 5. Run the cable assembly into the fender and install to the power source. See page 2.
 6. Snap the Compass Fender Light assembly to the fender opening.

WARNING
This product contains high intensity LED devices. To prevent eye damage, DO NOT stare into the light beam at close range.



OPERATION:
For details on operation see page with 'Flash Patterns' table on last page.

IMPORTANT:
Power should only be supplied through RED WIRE of flasher harness and must be fused with a 3A, user supplied, in-line fuse. Failure to install this fuse will create a fire hazard and will damage the Intersecor™ Light. Connecting the Intersecor™ light to any power source directly **WILL** permanently damage the light and will void warranty.

IMPORTANT! FOR PROPER OPERATION ALL WIRES MUST BE CONNECTED FROM FLASHER TO LIGHT HEAD.

WIRE HOOK-UP TABLE

WIRE COLOR: (ALL WIRES 20ga)	CONNECT TO: (FROM FLASHER ONLY)
RED	+10-16 Vdc
WHITE	Pattern Select / Sync
BLACK	Ground (-)
GREEN	Cruise Mode (+10-16 Vdc)





COMPASS FENDER LIGHT ECPNTKC1B(xx) - GM CAPRICE

PATTERN RESET

1. Remove power.
2. Place WHITE (sync) wire to ground.
3. With sync wire grounded, re-power RED wire.
4. Maintain for one second (light will dim).
5. Remove power and ground (pattern 1 set).

Tech Specs	Intersecor™
Flash Patterns:	30 Flash Patterns
Light Sync:	Yes
Technology:	9 Gen3 LEDs
Mounting:	Surface Mounts or Deck/ Grille Bracket Mount
Input Voltage:	10 - 16 Vdc
Current Draw:	less than 1.5 amps
Dimensions:	Width x Height x Depth 14" (356 mm) W x 71" (76 mm) H x 1.5" (38 mm) D
Operating Temp.:	-40° to +65° C / -104° to +149° F
Patents:	US Design Patent No. D636,113 *Other Patents Pending*

Parts & Accessories:

LH Intersecor Trim Panel	PNT3FLTP1L
RH Intersecor Trim Panel	PNT3FLTP1R
Metal Backing Bracket	PNT3FLMB1
Intersecor Light	PENT3BO(x)

SINGLE LIGHT HEAD SET UP AND PATTERN SELECTION

1. Disconnect WHITE wire from any connections if applicable.
2. Turn Intersecor™ LED LIGHT ON by applying power to RED WIRE from flasher. **IMPORTANT NOTE:** Power harness with in-line flasher (PNT(x)FLA) **MUST** be used between power and light. **Any other flasher WILL cause permanent damage and void warranty.**
3. Momentarily touching and removing the WHITE wire to ground will advance the Intersecor™ LED LIGHT to the next flash pattern. Touching and removing the WHITE wire for more than a few seconds will allow you to change the Intersecor™ LED LIGHT to the previous pattern. See flash pattern table. Continuing to touch and remove the WHITE wire to ground will allow you to scroll through the pattern list. After pattern #30 is reached the list will start over again at pattern #1.

SINGLE COLOR CONFIGURATIONS

Follow the ID selection steps and set the Intersecor™ LED LIGHT to the following ID:

ID #2 - Single Color ID #4 - Single Color

Single Color - Simultaneous Flash Patterns:
- Set light heads to same ID (#2 or #4).

Single Color - Alternating Flash Patterns:
- Set one light head to ID #2 and another to ID #4.

MULTIPLE LIGHT HEAD SET UP AND PATTERN SELECTION

1. Set ID#
 - a. Connections
 - i. RED: +10-16Vdc
 - ii. WHITE: +10-16Vdc (Note: you will need to disconnect after power is applied)
 - iii. BLK: Ground
 - iv. GREEN: NO CONNECTION REQUIRED FOR ID SELECTION
 - b. Apply power to unit
 - c. Without disconnecting power from unit, disconnect WHITE wire
 - d. Momentarily connect WHITE to Ground to change ID #
 - i. Identify ID# by number of sequential flashes
 - ii. Possible ID#s: 2 or 4
 - e. Disconnect Power to exit ID mode
2. Set Pattern - Must be done individually to each light prior to syncing
 - a. RED: +10-16Vdc
 - b. BLACK: Ground
 - c. While light is powered, tap WHITE wire to ground to advance to the next pattern (SEE pattern table at right)
 - d. Disconnect Power
3. Sync Lights
 - a. Once desired pattern has been selected for all light heads connect all white wires and insulate with electrical tape.
4. Connect Master Switch for Application.

Flash Patterns

Pattern Name	1 Light	Alternating 2 Lights	Simultaneous 2 Lights	F.P.M. (Flashes / Minute)
1. Quint	x	x	x	70
2. Warp	x	x	x	350
3. Inter-Cycle Flash	x	x		
4. Double Flash	x	x	x	70
5. Quad Flash	x	x	x	80
6. PowerPulse™	x	x	x	180
7. RoadRunner™	x	x	x	113
8. Q-Switch™	x	x		
9. RoadRunner™ Steady Burn	x	x		113
10. Quad Steady Burn	x	x		80
11. E-Ideal Single Flash	x	x	x	200
12. E-Ideal Double Flash	x	x	x	146
13. Quad2 Flash	x	x	x	67
14. Double2 Flash	x	x	x	95
15. PowerRunner	x	x	x	
16. LCR Quint	x	x	x	
17. Warp ³	x	x	x	
18. Ultra Warp	x	x	x	545
19. Thunder & Lightning	x	x		
20. Lite Speed	x	x	x	85
21. SuperSonic	x		x	170
22. LCR Lite Speed	x	x	x	
23. SuperSonic Ultra	x	x	x	
24. Tempo Shift	x	x	x	
25. Tempo Shift Warp	x	x	x	
26. SBE2	x	x	x	67
27. C ²	x	x	x	200
28. U ²	x	x	x	176
29. Cyclone2	x	x	x	
30. Chameleon2	x	x	x	

IMPORTANT INFORMATION:

Warning devices are strictly regulated and governed by Federal, State and Municipal ordinances. These devices shall be used ONLY on approved vehicles. It is the sole responsibility of the user of these devices to ensure compliance.

To review our Limited Warranty Statement & Return Policy for this or any SoundOff Signal product, visit our website at www.soundoffsignal.com/sales-support.
If you have questions regarding this product, contact **Technical Services**, Monday - Friday, 8 a.m. to 5 p.m. at **1.800.338.7337** (press #4 to skip the automated message).
Questions or comments that do not require immediate attention may be emailed to techsupport@soundoffsignal.com.

SUPERIOR CUSTOMER RELATIONSHIPS. SMARTLY DESIGNED LIGHTING & ELECTRONIC SOLUTIONS.

