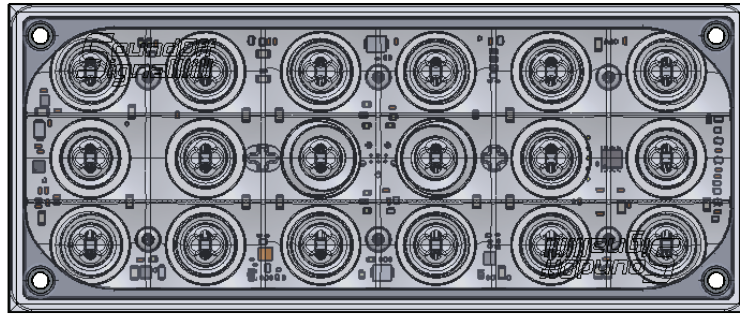




with Clear Duty® Technology

7x3 STOP/TAIL, TURN LIGHTS

EMPSC07M(x)-(x) - Quick Mount, Screw Mount, & Stud Mount



⚠ WARNING

- HIGH CURRENT interconnects must be properly terminated. Poor crimp quality can cause heat build-up and fire. Follow crimp connector manufacturer instructions.
- DO NOT install this product or route any wires in the Air Bag Deployment Zone. Refer to vehicle Owner's Manual for deployment zones.
- Unit may become hot to touch during normal operation.
- Failure to properly install connectors, fuses or wiring may cause vehicle failure or fire.
- Installation must only be performed by trained technician. Installer must determine vehicle wiring configuration and proper integration of system.
- Use proper wire gauge. All power wires connecting to positive (+) or negative (-) battery terminal or local chassis ground (-) must be sized to supply at least 125% of max. current and properly fused at power source.
- Install protective grommets when routing wire through firewall or metal.

NOTICE:

Installers and users must comply with all applicable federal, state and local laws regarding use and installation of warning devices.

Improper use or installation may void warranty coverage.

To review our Limited Warranty Statement & Return Policy for this or any SoundOff Signal product, visit our website at www.soundoffsignal.com/tech-services/returns/.

If you have questions regarding this product, contact **Technical Services**, Monday - Friday, 8 a.m. to 5 p.m. ET at **1.800.338.7337** (press #4).

Questions or comments that do not require immediate attention may be emailed to techservices@soundoffsignal.com.

**MPOWER® 7X3
STOP/TAIL LIGHT
TECHNICAL SPECIFICATIONS**

Input Voltage:	9-32Vdc
----------------	---------

**7X3 STOP/TAIL LIGHT
CURRENT CONSUMPTION (Amps)**

12.8Vdc	25.6Vdc
Peak	Peak

STOP	0.5	0.25
TAIL	0.03	0.02

**7X3 TURN SIGNAL LIGHT
CURRENT CONSUMPTION (Amps)**

12.8Vdc		25.6Vdc	
Peak	Average	Peak	Average

TURN	0.92	0.46	0.42	0.24
-------------	------	------	------	------

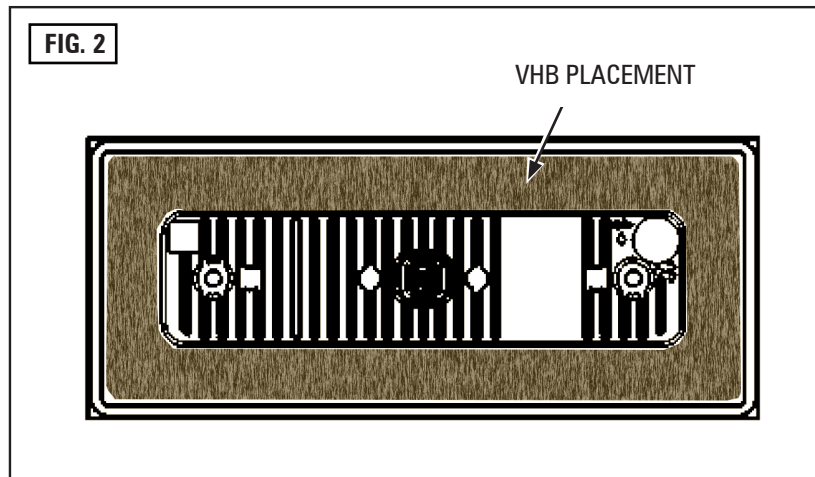
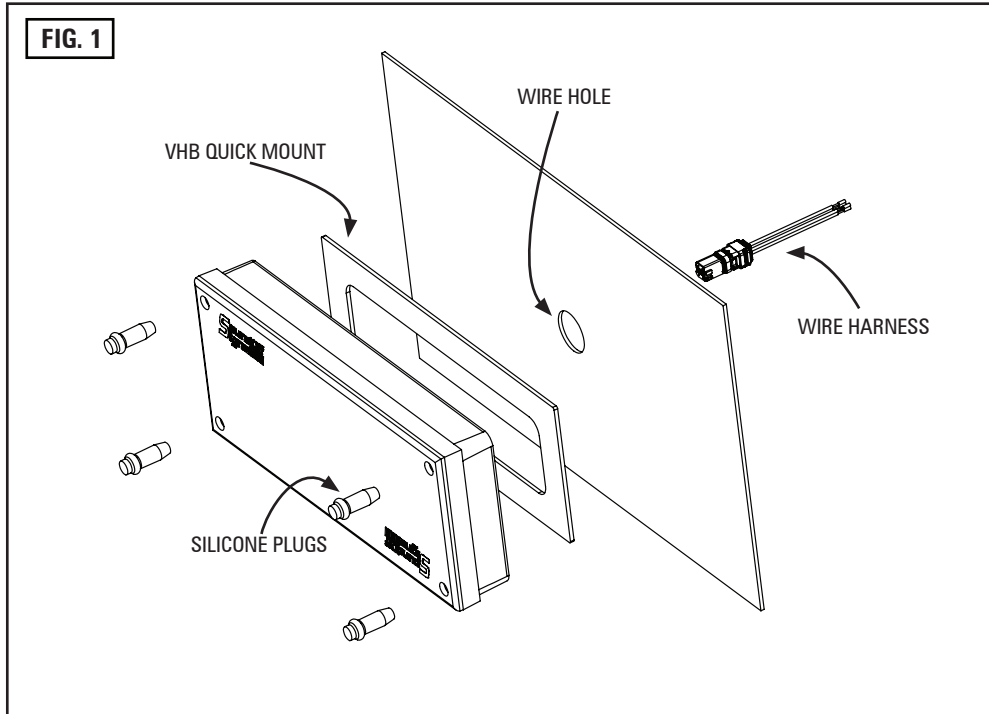
AFTER POWER IS ON, touching the WHITE wire to the ground will allow you to change various settings on the module. (refer to page 3.)

⚠ WARNING

This product contains high intensity LED devices. To prevent eye damage, **DO NOT** stare into the light beam at close range.



1.800.338.7337 / www.soundoffsignal.com



QUICK MOUNT INSTALLATION

1. Drill a 3/4" wire hole.
2. Insert (4) silicone plugs into light to seal screw holes.

NOTE: Coating the exterior of the plug in 50% isopropyl alcohol, 50% water mix (Hand sanitizer works well) will allow the plug to slip into place easier, and the mixture will evaporate out leaving no residue

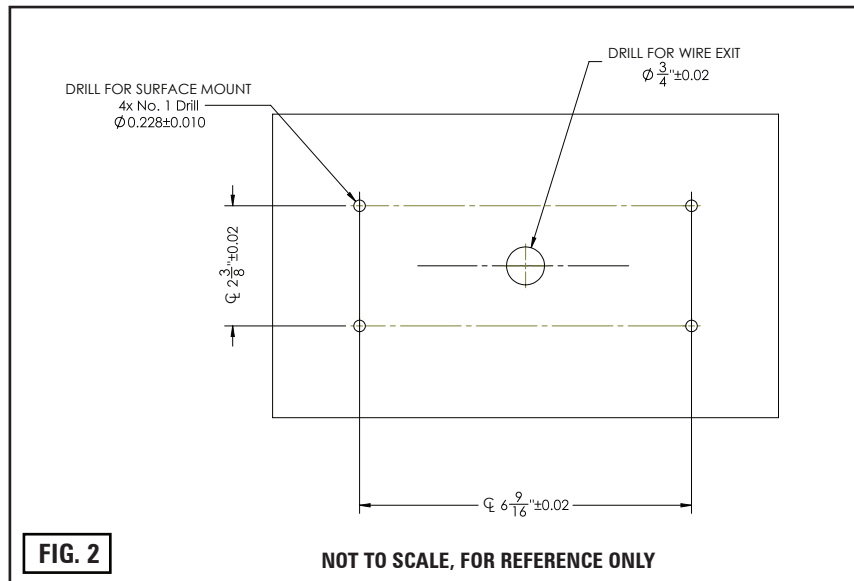
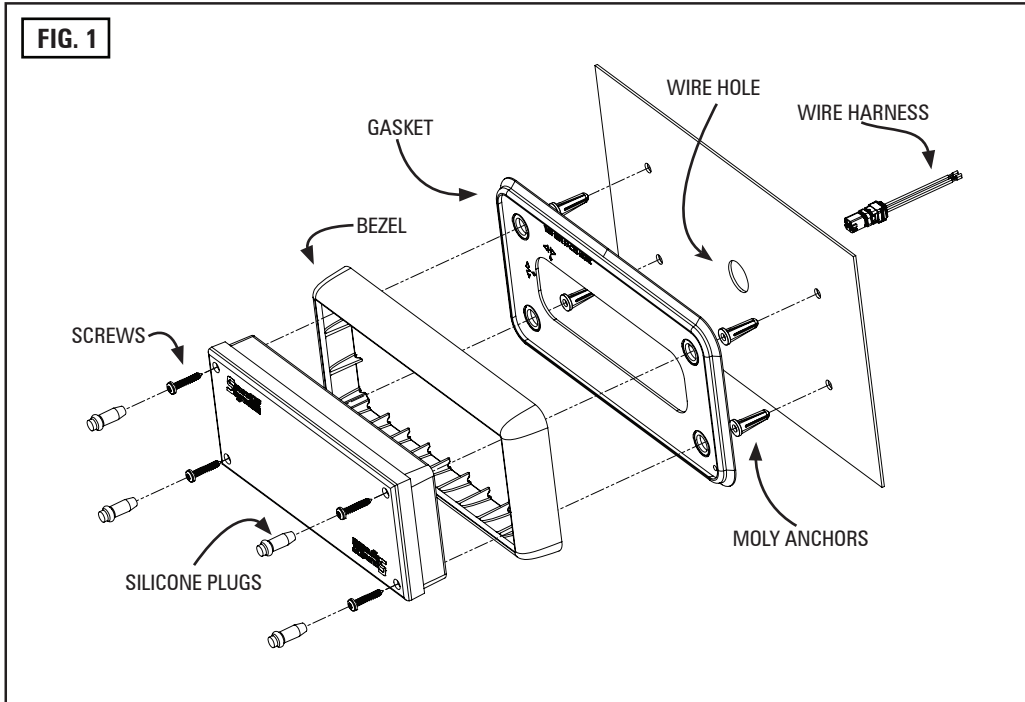
3. Prep the back of the light and vehicle mount surfaces with 50% deionized water, 50% isopropyl alcohol wipe, and allow to dry.
4. Adhere VHB quick mount to the back of the light and press down firmly for 15 seconds on full surface. See Fig. 2
5. Pull the wire harness through the vehicle wire hole and plug into the back of the light.
6. Lightly place the light against vehicle mount surface and check the alignment is satisfactory. Once alignment is correct press firmly against light for 15 seconds to set VHB quick mount.

NOTE: Bezel will not work with the Quick Mount option.

QUICK MOUNT PART NUMBERS

EMPSC07M6-R - Stop/Tail/Turn Light, Quick Mount
 EMPSC07M7-A - Turn Light, Quick Mount

with Clear Duty® Technology



SCREW MOUNT INSTALLATION

1. Drill (4) 0.228 (#1 Drill) holes to mount light. Drill 3/4" wire hole. See Fig. 2
2. Insert the moly anchors into the 4 drilled holes. Fully seat to mounting surface.
3. Align the gasket to the mounting surface.

NOTE: Horizontal and vertical orientations indicated on gasket for proper seal.

4. Place the bezel over gasket.
5. Pull the wire harness through the opening and plug into the back of the light.
6. Place the light into bezel, press firmly to make sure bezel and gasket are tight against mounting surface.
7. Secure the light to mounting surface using (4) supplied screws.

NOTE: Tighten until gasket is compressed. DO NOT over tighten and strip moly anchors.

8. Insert (4) silicone plugs into light to seal screw holes.

NOTE: Coating the exterior of the plug in 50% isopropyl alcohol, 50% water mix (Hand sanitizer works well) will allow the plug to slip into place easier, and the mixture will evaporate out leaving no residue

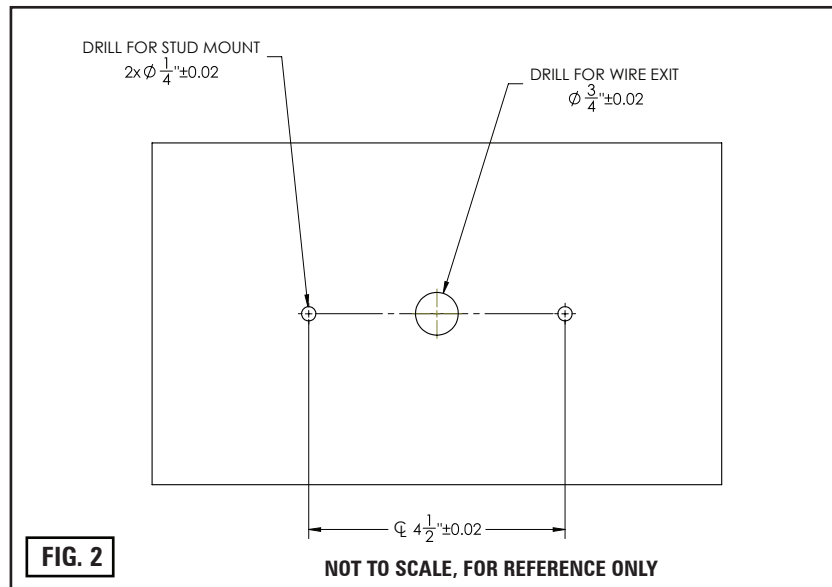
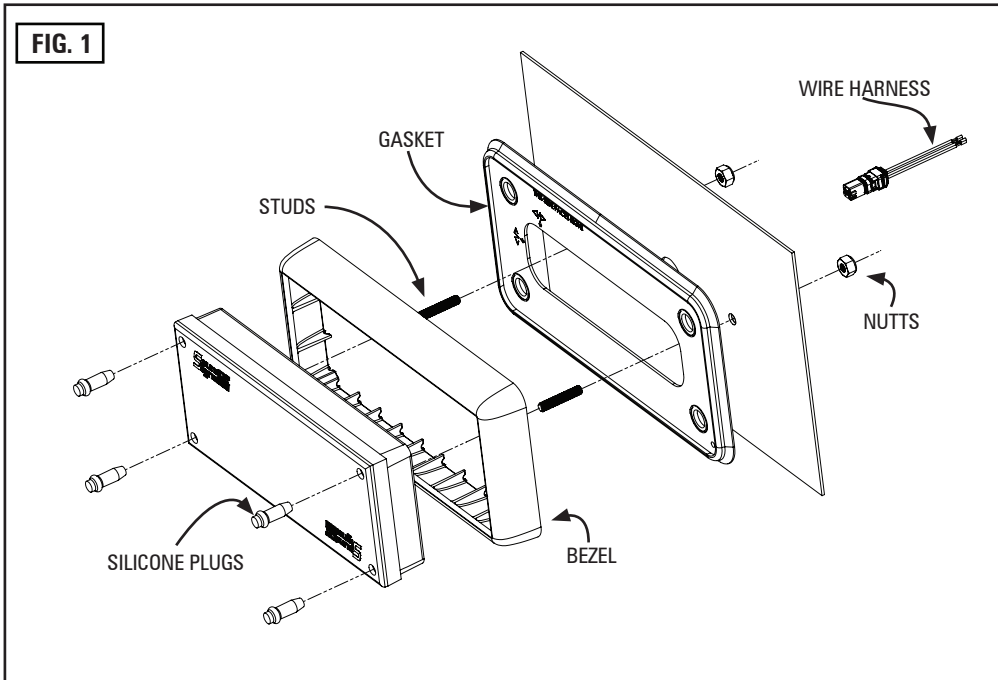


DO NOT USE POWER TOOLS TO TIGHTEN

SCREW MOUNT PART NUMBERS

- EMPSC07ME-R - Stop/Tail/Turn Light, Screw Mount
- EMPSC07MF-A - Turn Light, Screw Mount

with Clear Duty® Technology



STUD MOUNT INSTALLATION

1. Drill (2) 1/4" holes to mount light. Drill 3/4" wire hole. See Fig. 2
2. Insert (4) silicone plugs into light to seal screw holes.

NOTE: Coating the exterior of the plug in 50% isopropyl alcohol, 50% water mix (Hand sanitizer works well) will allow the plug to slip into place easier, and the mixture will evaporate out leaving no residue

3. Thread studs into the back of light.
4. Align the gasket to the mounting surface.

NOTE: Horizontal and vertical orientations indicated on gasket for proper seal.

5. Place the bezel over gasket.
6. Place the light into bezel, press firmly to make sure bezel and gasket are tight against mounting surface.
7. Secure the light to mounting surface using (2) supplied nuts.

NOTE: Tighten until gasket is compressed. DO NOT over tighten and strip casting threads.

8. Pull the wire harness through the opening and plug into the back of the light.



DO NOT USE POWER TOOLS TO TIGHTEN

STUD MOUNT PART NUMBERS

EMPSC07MP-R - Stop/Tail/Turn Light, Stud Mount
EMPSC07MQ-A - Turn Light, Stud Mount

with Clear Duty® Technology

OVER-VOLTAGE PROTECTION

When an over-voltage condition is detected, the module will flash an over-voltage warning pattern of 50mS ON/950mS OFF to alert of the over-voltage condition and protect the electronics from damage due to heat/voltage.

THERMAL COMPENSATION PROTECTION

The LED module is designed to provide maximum power output while providing protection to the electronic components by reducing the output power at extreme temperatures.

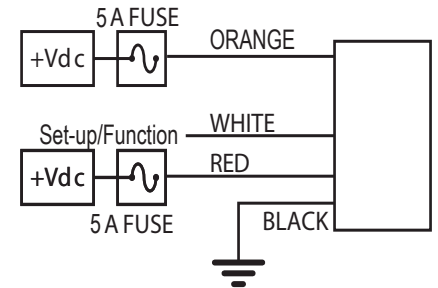
STOP/TAIL LIGHT FUNCTION TABLE			
WIRE			LIGHT
RED	ORANGE	WHITE	
	X		TAIL FUNCTION
X			STOP FUNCTION
X		X	STOP FUNCTION (FLICKER PATTERN)

TURN LIGHT FUNCTION TABLE			
WIRE			LIGHT
RED	ORANGE	WHITE	
	X		TAIL FUNCTION
X			TURN FUNCTION

NOTE: The inputs do not support PWM input signals.

WIRE HOOK-UP TABLE	
WIRE COLOR	FUNCTION
RED	Power (Stop/Turn Function)
BLACK	Ground
GREEN**	Reserved - Factory Use
WHITE to POWER	(Flicker Stop Pattern)
ORANGE	Power (Tail Function)

- ** To sync multiple mPower lights, connect the Green wire from each light together.
- * Will NOT work with other sync products such as Ghost, LED3, & 4 wire Intersector with external flasher.
- * Will Work with Sync 2 products nFORCE® Secondary Lights, nFORCE FIT and 5 wire Intersector Lights.



FOR THE 7X3 TURN LIGHT ONLY

ADVANCE PATTERN

Flash pattern can only be changed when the LED module is in a flashing mode (disabled in cruise or steady ON functions). When the light is flashing, momentarily connect the white wire to ground for >250mS and <1S (light will go steady high) then release. The flash pattern will advance to the next pattern. If the light module was at the last pattern, the pattern will reset to the 1st pattern

TOGGLE MODE

Momentarily, connect the white wire to ground for >2S and <3S (light will go steady high, and steady low) then release. The output mode will toggle between "repeat sequence" and "run sequence once" modes.

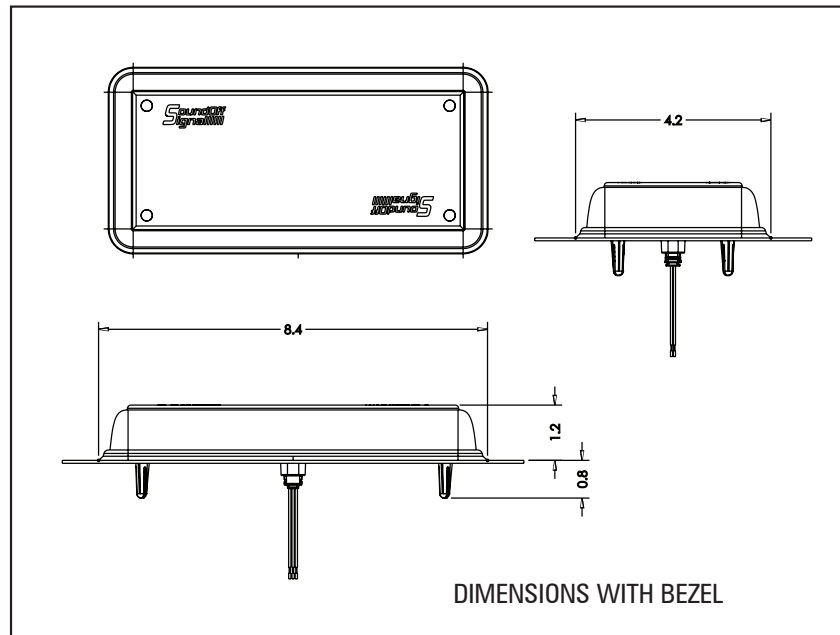
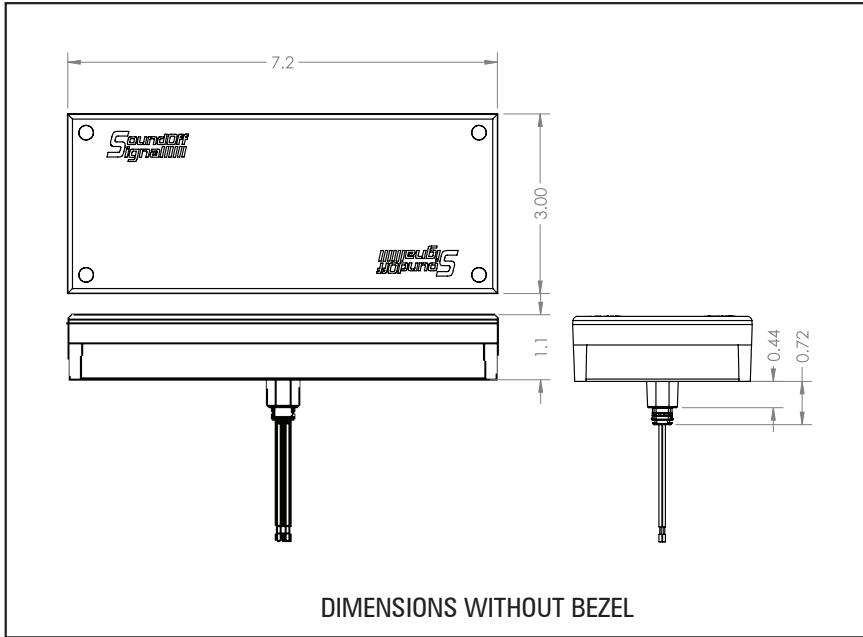
FACTORY RESET

Momentarily, connect the white wire to ground for >1S and <2S (light will go steady high, steady low, and off) then release. The LED module will reset to pattern 1 and mode "run sequence once."

PROGRAMMING MODE NOTE: The light must be powered by the red or orange wire prior to activating the programming wire.

FLASH PATTERNS	
	FLASHES PER MINUTE
1	1 (Steady)
2	60
3	90
4	120

with Clear Duty® Technology



BEZEL INFORMATION

MPOWER® 7X3 DIMENSIONS

Overall Dimensions:	4.52"L x 0.92"H x 0.42"D
Overall Dimensions with Bezel*:	4.52"L x 0.92"H x 0.42"D

*Single Bezels are compatible with Stud & Screw Mount versions
Triple and Quad are compatible with Screw Mount versions only

BEZEL PART NUMBERS

PMP8BZL04(xx)** - Bezel, includes Gasket

PMP8HK01-(XX)** - Hardware Kit

**1st (x) Refers to the Single, Triple, Quad Selection

- 1 = Single Bezel
- 3 = Triple Bezel
- 4 = Quad Bezel

2nd (x) Refers to the Color of Bezel

- B = Black
- C = Chrome
- 4 = Quad Bezel

*** (XX) Refers to type of Hardware Kit

- BZ = Triple & Quad Bezel
- QM = for Quick Mount Application
- SM = for Screw Mount Application
- ST = for Stud Mount Application