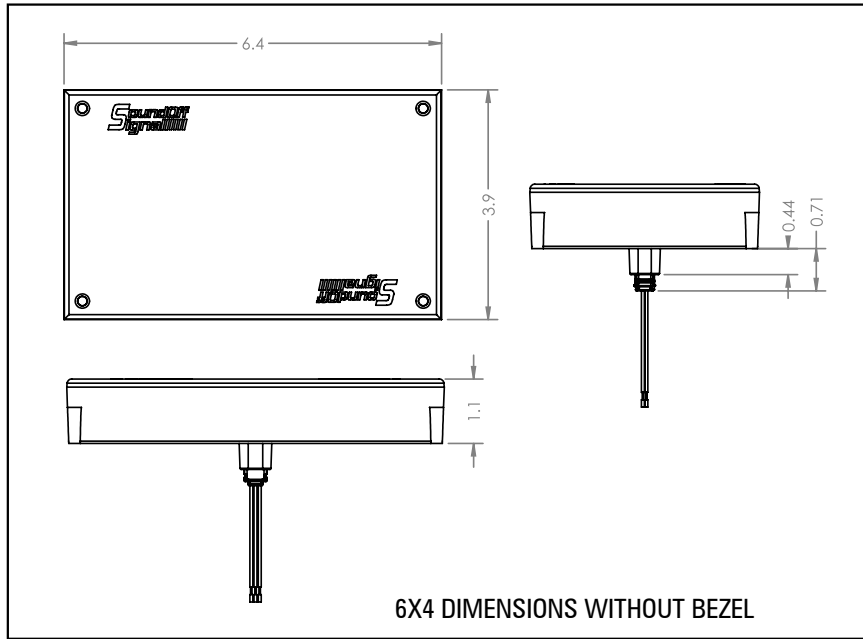
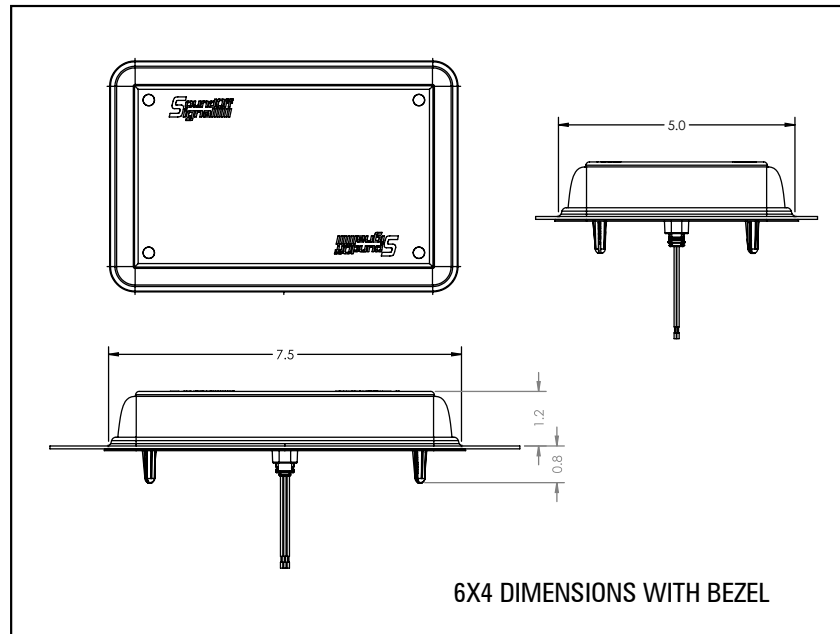




6X4 & 7X3 BEZEL



6X4 DIMENSIONS WITHOUT BEZEL



6X4 DIMENSIONS WITH BEZEL

BEZEL INFORMATION

MPOWER® 6X4 DIMENSIONS

Overall Dimensions:	6.4"L x 3.9"H x 1.1"D
Overall Dimensions with Bezel*:	7.5"L x 4.0"H x 1.1"D

*Single Bezels compatible with Stud & Screw Mount versions
Triple and Quad Bezels compatible with Screw Mount versions only

6X4 BEZEL PART NUMBERS

PMP7BZL01(x)** - Bezel, includes Gasket

PMP7HK01-(XX)*** - Hardware Kit

2nd (x) Refers to the Color of Bezel

B = Black

C = Chrome

4 = Quad Bezel

NOTE: BLACK AND CHROME BEZEL IS NOT COMPATIBLE WITH THE QUICK MOUNT VHB

***(XX) Refers to type of Hardware Kit

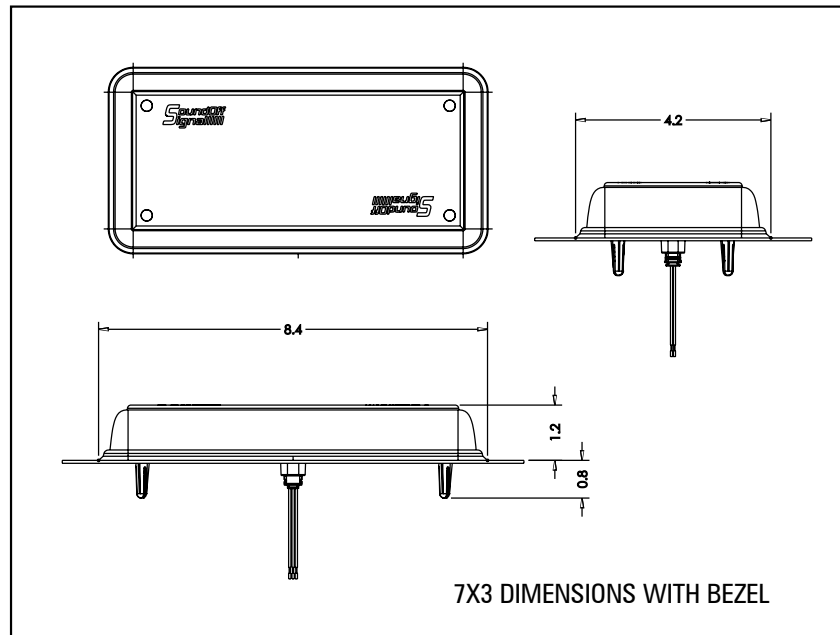
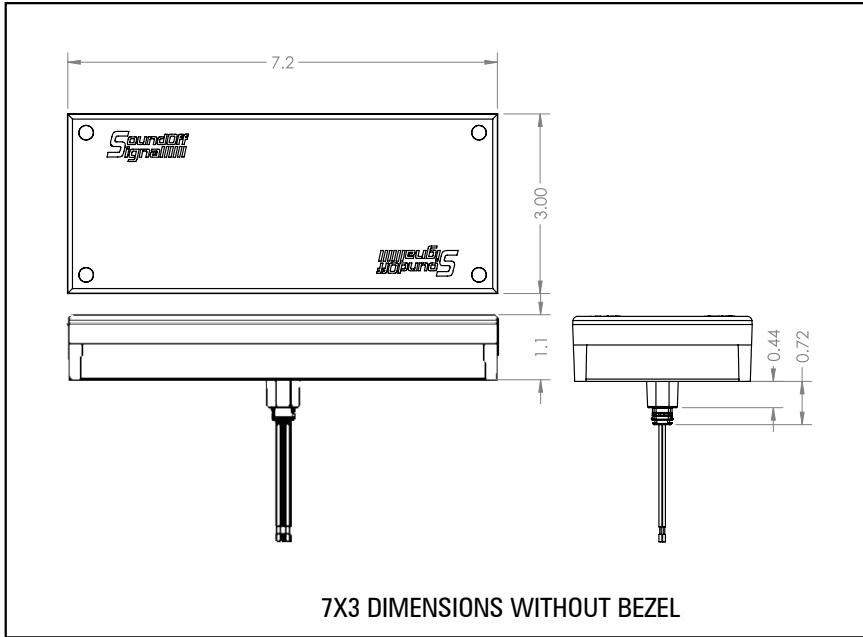
QM = for Quick Mount Application

**SoundOff
Signal**

1.800.338.7337 / www.soundoffsignal.com



6X4 & 7X3 BEZEL



BEZEL INFORMATION

MPOWER® 7X3 DIMENSIONS

Overall Dimensions:	4.52" L x 0.92" H x 0.42" D
Overall Dimensions with Bezel*:	4.52" L x 0.92" H x 0.42" D

*Single Bezels compatible with Stud & Screw Mount versions
Triple and Quad Bezels compatible with Screw Mount versions only

7X3 BEZEL PART NUMBERS

PMP8BZL04(xx)** - Bezel, includes Gasket

PMP8HK01-(xx)*** - Hardware Kit

2nd (x) Refers to the Color of Bezel
B = Black
C = Chrome
4 = Quad Bezel

NOTE: BLACK AND CHROME BEZEL IS NOT COMPATIBLE WITH THE QUICK MOUNT VHB

***(XX) Refers to type of Hardware Kit
QM = for Quick Mount Application
SM = for Screw Mount Application
ST = for Stud Mount Application

**SoundOff
Signal**

1.800.338.7337 / www.soundoffsignal.com

6X4 & 7X3 BEZEL

FIG. 1

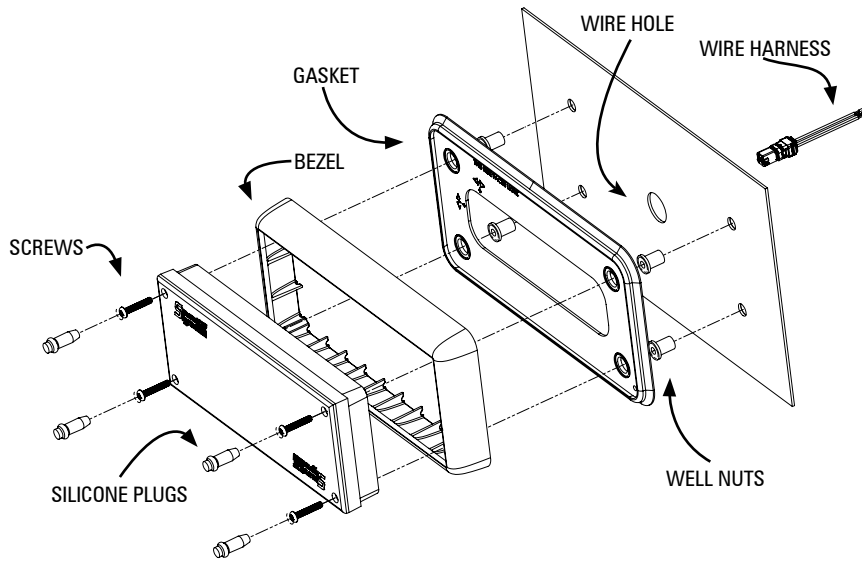
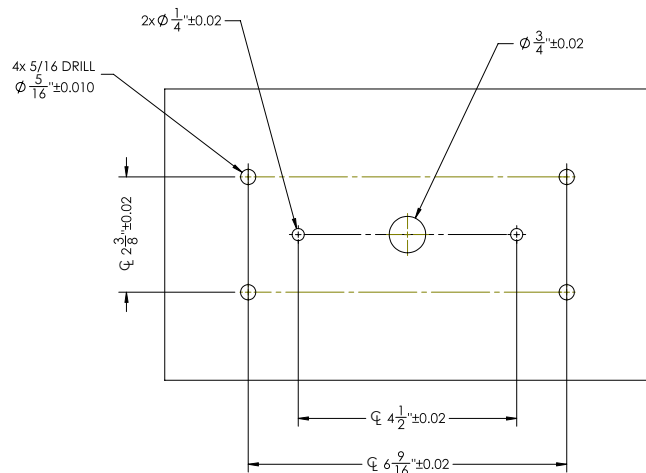


FIG. 2



NOT TO SCALE, FOR REFERENCE ONLY

SCREW MOUNT INSTALLATION

1. Drill (4) 0.228 (#1 Drill) holes to mount light. Drill 3/4" wire hole. See Fig. 2
2. Insert the well nuts into the 4 drilled holes. Fully seat to mounting surface.
3. Align the gasket to the mounting surface.

NOTE: Horizontal and vertical orientations indicated on gasket for proper seal.

4. Place the bezel over gasket.
5. Pull the wire harness through the opening and plug into the back of the light.
6. Place the light into bezel, press firmly to make sure bezel and gasket are tight against mounting surface.
7. Secure the light to mounting surface using (4) supplied screws.

NOTE: Tighten until gasket is compressed. DO NOT over tighten and strip moly anchors.

8. Insert (4) silicone plugs into light to seal screw holes.

NOTE: Coating the exterior of the plug in 50% isopropyl alcohol, 50% water mix (Hand sanitizer works well) will allow the plug to slip into place easier, and the mixture will evaporate out leaving no residue

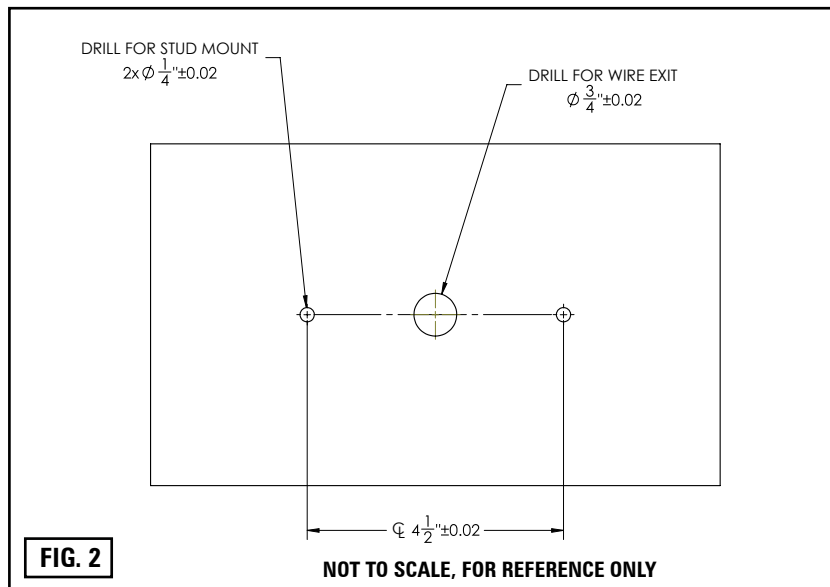
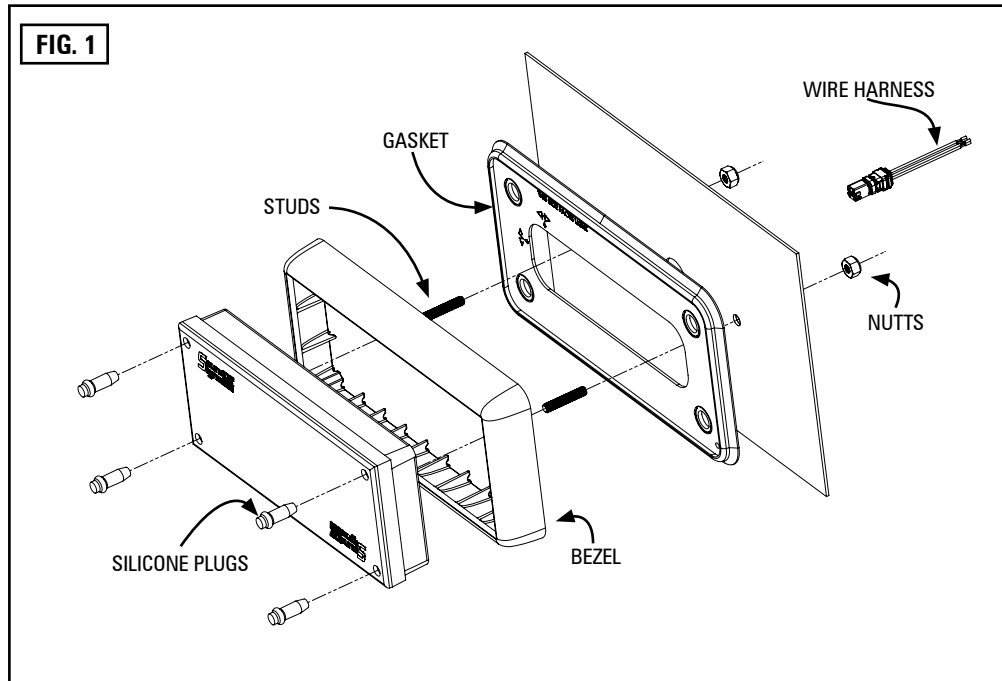


DO NOT USE POWER TOOLS TO TIGHTEN

SCREW MOUNT PART NUMBERS

- EMPSC07M8-(x) - Single Color Warning Light, Screw Mount
- EMPSC07M9-(x) - Dual Color Warning Light, Screw Mount
- EMPSC07MA-(x) - Split Color Warning Light, Screw Mount
- EMPSC07MB-(x) - Tricolor Warning Light, Screw Mount

6X4 & 7X3 BEZEL



STUD MOUNT INSTALLATION

1. Drill (2) 1/4" holes to mount light. Drill 3/4" wire hole. See Fig. 2
2. Insert (4) silicone plugs into light to seal screw holes.

NOTE: Coating the exterior of the plug in 50% isopropyl alcohol, 50% water mix (Hand sanitizer works well) will allow the plug to slip into place easier, and the mixture will evaporate out leaving no residue

3. Thread studs into the back of light.
4. Align the gasket to the mounting surface.

NOTE: Horizontal and vertical orientations indicated on gasket for proper seal.

5. Place the bezel over gasket.
6. Place the light into bezel, press firmly to make sure bezel and gasket are tight against mounting surface.
7. Secure the light to mounting surface using (2) supplied nuts.

NOTE: Tighten until gasket is compressed. DO NOT over tighten and strip casting threads.

8. Pull the wire harness through the opening and plug into the back of the light.



DO NOT USE POWER TOOLS TO TIGHTEN

STUD MOUNT PART NUMBERS

- EMPSC07MH-(x) - Single Color Warning Light, Stud Mount
- EMPSC07MJ-(x) - Dual Color Warning Light, Stud Mount
- EMPSC07MK-(x) - Split Color Warning Light, Stud Mount
- EMPSC07ML-(x) - Tricolor Warning Light, Stud Mount