

6X4 P SERIES BEZEL

PPS7BZL01C - 6X4 POLYCARB SINGLE BEZEL KIT: CHROME

PPS7BZL01B - 6x4 POLYCARB SINGLE BEZEL KIT: BLACK

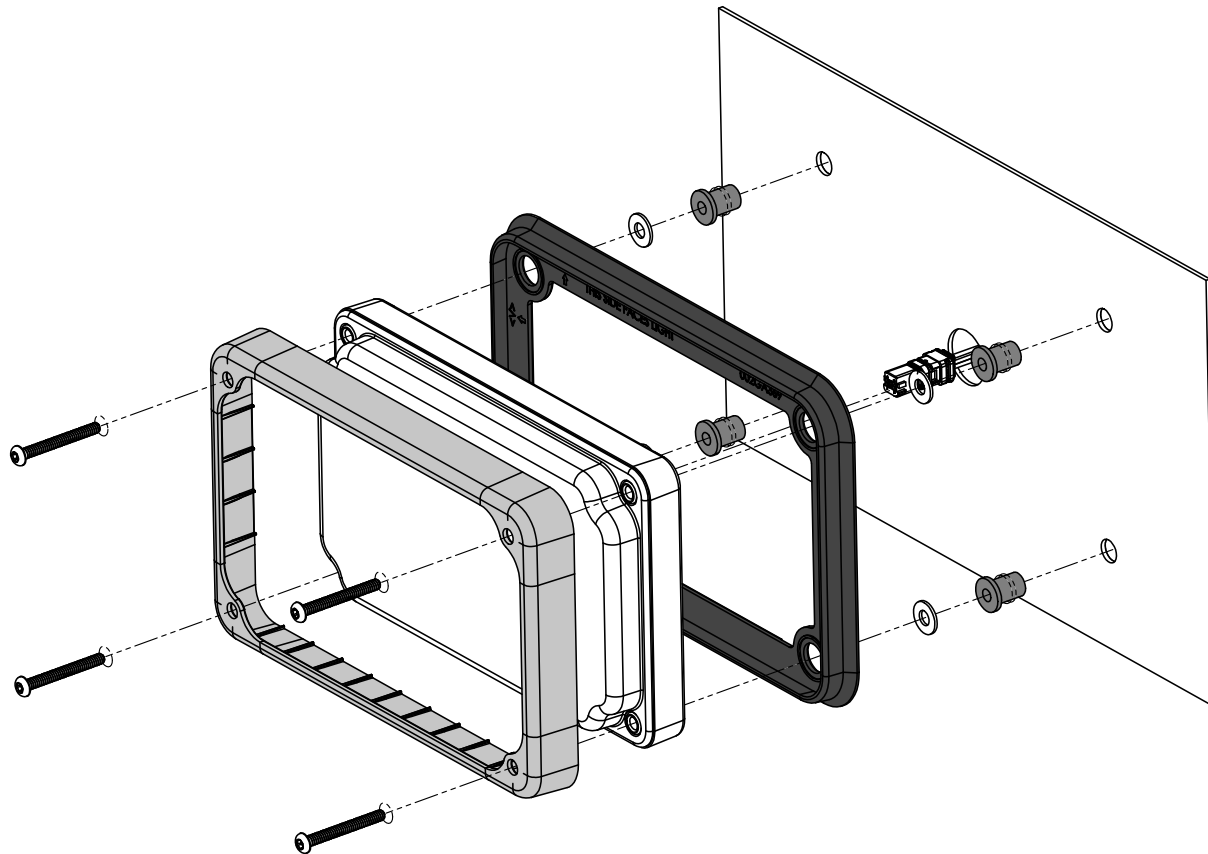


FIG. 1

WARNING

- HIGH CURRENT interconnects must be properly terminated. Poor crimp quality can cause heat build-up and fire. Follow crimp connector manufacturer instructions.
- DO NOT install this product or route any wires in the Air Bag Deployment Zone. Refer to vehicle Owner's Manual for deployment zones.
- Do NOT use system to disconnect headlights, brake lights or other safety equipment.
- Unit may become hot to touch during normal operation.
- Failure to properly install connectors, fuses or wiring may cause vehicle failure or fire.
- Installation must only be performed by trained technician. Installer must determine vehicle wiring configuration and proper integration of system.
- Use proper wire gauge. All power wires connecting to positive (+) or negative (-) battery terminal or local chassis ground (-) must be sized to supply at least 125% of max. current and properly fused at power source.
- Install protective grommets when routing wire through firewall or metal.

COMPONENTS 2

INSTALLATION INSTRUCTIONS 2

WELL NUT ASSEMBLY VIEW 2



P-Series product page



1.800.338.7337 / www.soundoffsignal.com

NOTICE:

Installers and users must comply with all applicable federal, state and local laws regarding use and installation of warning devices. *Improper use or installation may void warranty coverage. To review our Limited Warranty Statement & Return Policy for this or any SoundOff Signal product, visit our website at www.soundoffsignal.com/tech-services/returns/. If you have questions regarding this product, contact Technical Services, Monday - Friday, 8 a.m. to 5 p.m. ET at 1.800.338.7337 (press #4). Questions or comments that do not require immediate attention may be emailed to techservices@soundoffsignal.com.*

ENHANCING SAFETY THROUGH INNOVATION

6X4 P SERIES BEZEL

INSTALLATION:

1. Drill (4) 5/16" holes to mount light. Drill 3/4" wire hole. See Fig. 2.
2. If a bezel is being used, place bezel over light.
3. Place the gasket on the back of the light and bezel (if used).

NOTE: Horizontal and vertical orientations indicated on gasket for proper seal.

4. Insert the (4) supplied screws into each screw hole.
5. Place (4) flat washers over the screws on the back of the light.
6. Screw onto each fastener the (4) well nuts onto the back of the light. Tighten until snug.
7. Pull the wire harness through the opening and plug into the back of the light.
8. With the light assembly in hand, insert the well nuts into the 4 drilled holes. Fully seat to mounting surface.
9. Secure the light to mounting surface. While applying pressure on each fastener, tighten the (4) screws 7 full turns.

NOTE: Tighten until gasket is compressed. DO NOT over tighten.

CONTAINS		
ITEM #	COMPONENT	QTY.
1	GASKET	1
2	BEZEL	1
3	1 1/4" 6-32 TORX HEAD SCREWS	4
4	FLAT WASHER	4
5	6-32 WELL NUT	4
6	INSTALLATION INSTRUCTION SHEET	1
7	PRODUCT WARNING CARD	1
8	CA PROP 65 LABEL	1

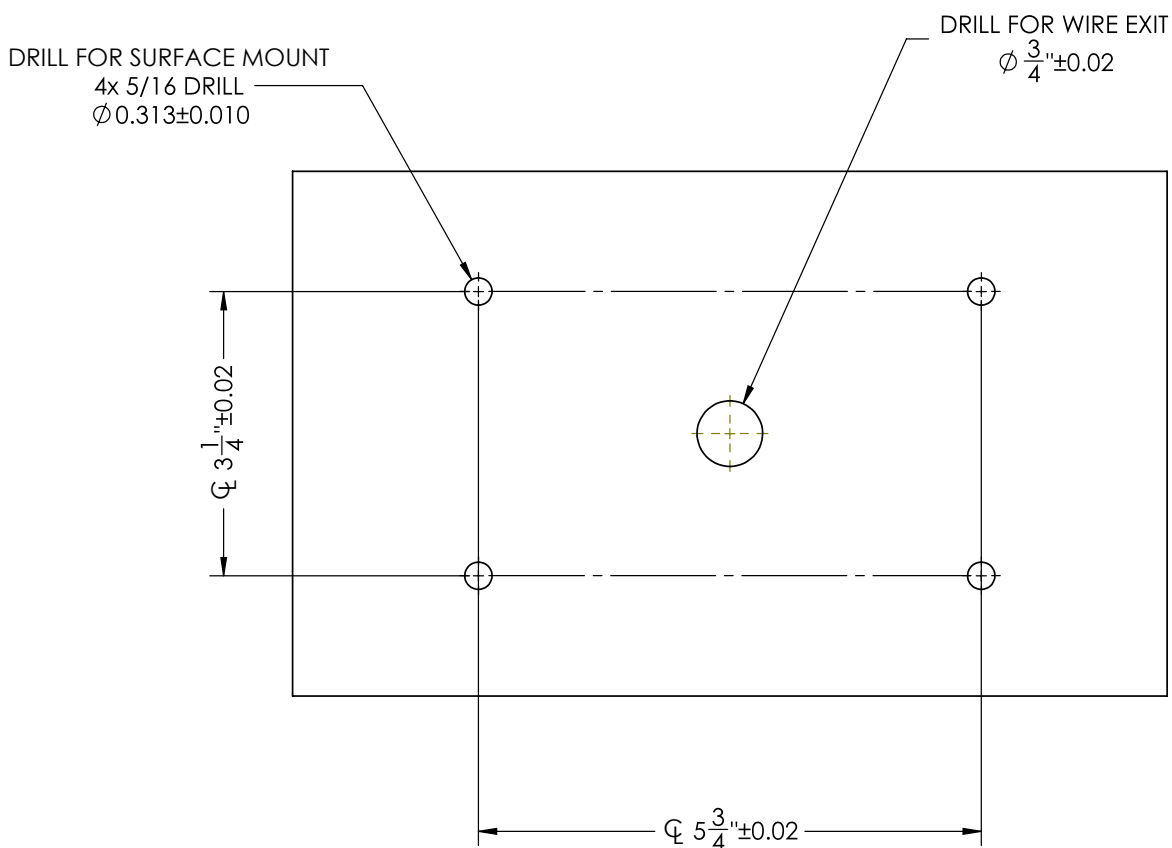
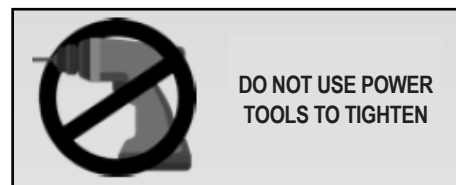


FIG. 2

6X4 BEZEL - SCREW MOUNT TEMPLATE
NOT TO SCALE, FOR REFERENCE ONLY