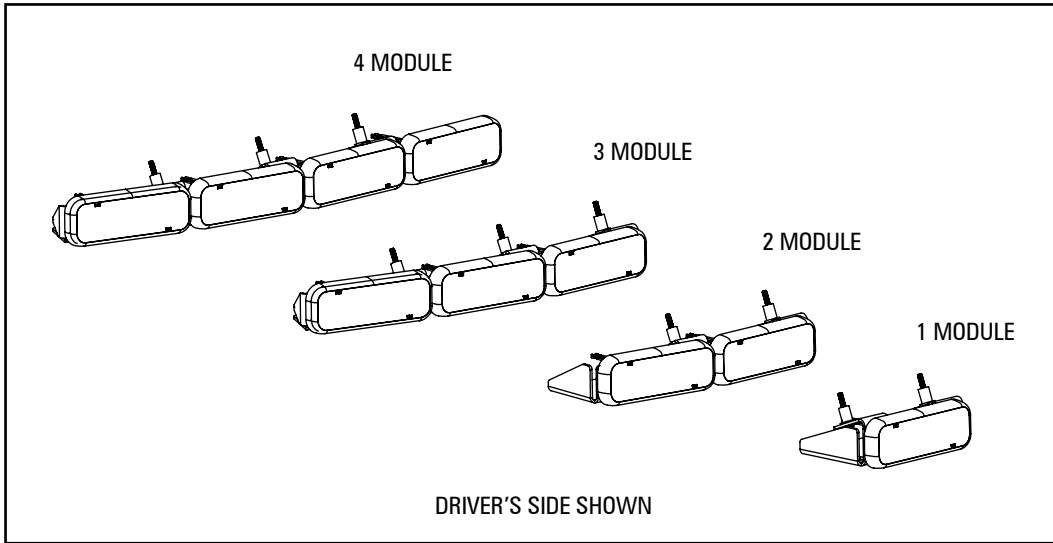




2020 FORD UTILITY SPOILER BRACKET

PMP2RSX01 - For use with mpower 4x2 Stud Mount Light



⚠ WARNING

- HIGH CURRENT interconnects must be properly terminated. Poor crimp quality can cause heat build-up and fire. Follow crimp connector manufacturer instructions.
- DO NOT install this product or route any wires in the Air Bag Deployment Zone. Refer to vehicle Owner's Manual for deployment zones.
- Do NOT use system to disconnect headlights, brake lights or other safety equipment.
- Unit may become hot to touch during normal operation.
- Failure to properly install connectors, fuses or wiring may cause vehicle failure or fire.
- Installation must only be performed by trained technician. Installer must determine vehicle wiring configuration and proper integration of system.
- Use proper wire gauge. All power wires connecting to positive (+) or negative (-) battery terminal or local chassis ground (-) must be sized to supply at least 125% of max. current and properly fused at power source.
- Install protective grommets when routing wire through firewall or metal.



1.800.338.7337 / www.soundoffsignal.com

FEATURES:

- Integrates under the spoiler of the vehicle for a seamless look
- For use with the mpower® 4x2 Fascia Stud Mount Light only

PART NUMBERS:

- **PMP2RS101:** Rear Spoiler Bracket, 1 Module Kit, Black, for use with mpower® 4x2 Fascia Stud Mount Light - Ford Utility 2020
- **PMP2RS201:** Rear Spoiler Bracket, 2 Module Kit, Black, for use with mpower® 4x2 Fascia Stud Mount - Ford Utility 2020
- **PMP2RS301:** Rear Spoiler Bracket, 3 Module Kit, Black, for use with mpower® 4x2 Fascia Stud Mount - Ford Utility 2020
- **PMP2RS401:** Rear Spoiler Bracket, 4 Module Kit, Black, for use with mpower® 4x2 Fascia Stud Mount - Ford Utility 2020

COMPONENT	QUANTITY			
	PMP2RS101	PMP2RS201	PMP2RS301	PMP2RS401
2020 Ford Utility Left Bracket	1	1	1	1
2020 Ford Utility Right Bracket	1	1	1	1
6-32 Rubber Insert	4	4	6	6
6-32 X 1.00" Torx Screw	4	4	6	6
Installation Instruction Sheet	1	1	1	1
Product Warning Card	1	1	1	1

NOTICE:

Installers and users must comply with all applicable federal, state and local laws regarding use and installation of warning devices.

Improper use or installation may void warranty coverage.

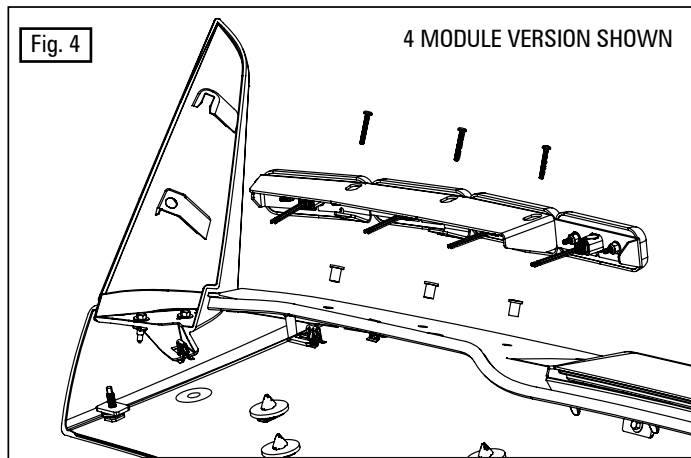
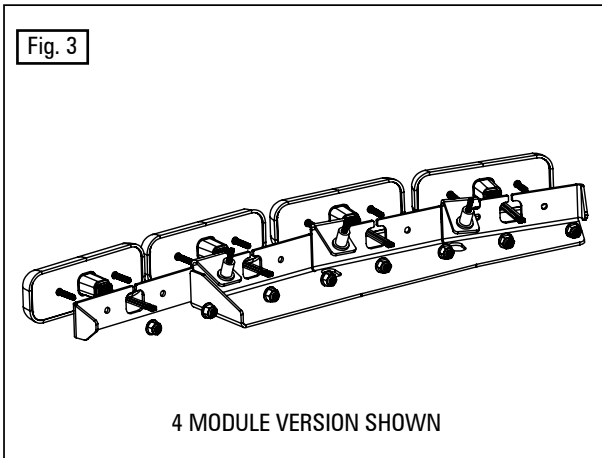
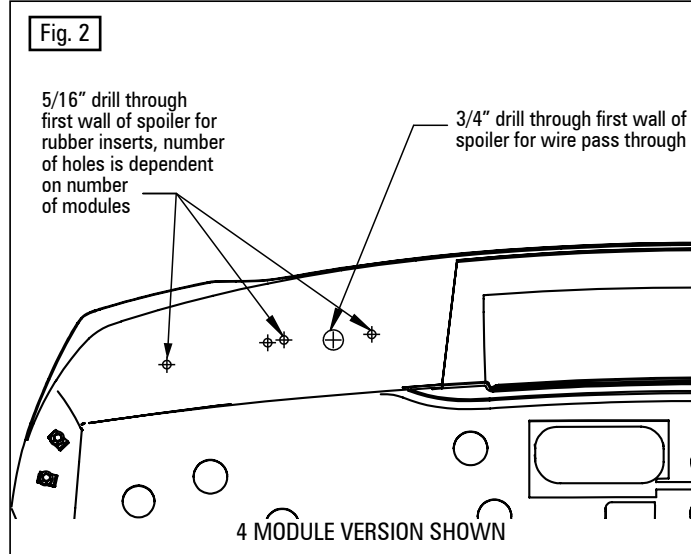
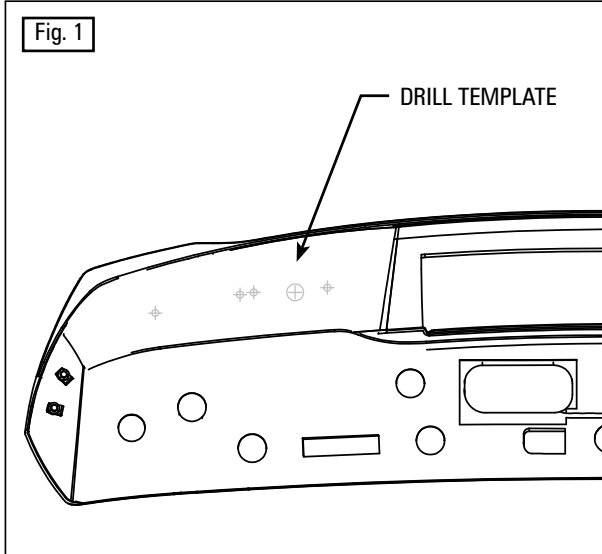
To review our Limited Warranty Statement & Return Policy for this or any SoundOff Signal product, visit our website at www.soundoffsignal.com/tech-services/returns/.

If you have questions regarding this product, contact **Technical Services**, Monday - Friday, 8 a.m. to 5 p.m. ET at 1.800.338.7337 (press #4).

Questions or comments that do not require immediate attention may be emailed to techservices@soundoffsignal.com.

2020 FORD UTILITY SPOILER BRACKET

PMP2RSX01 - For use with mpower 4x2 Stud Mount Light



INSTALLATION:

1. Remove rear spoiler from the vehicle using the manufacturer's recommended method. Lay the included drill template onto the driver's side of the spoiler, as shown in Fig. 1. Line up the template with the seam on the outer edge of the spoiler to properly position it.
2. Secure the template in place with non-marking tape.
3. Refer to the chart below and to the included template for drill instructions:

BRACKET TYPE	MOUNTING HOLES
1 MODULE	C, D
2 MODULE	B, D
3 MODULE	A, B, D
4 MODULE	A, B, D

4. Scribe the drill locations indicated by the template, remove the template, and drill, as shown in Fig. 2.
5. Flip the drill template over and lay on passenger's side. Temporarily, secure in place with non-marking tape. Scribe the drill locations indicated by the template.
6. Remove the template and drill as indicated.
7. Attach the lights to the included brackets, as shown in Fig. 3. Secure nuts 1/8" turn past seated contact.
8. Press the 6-32 rubber inserts into the spoiler. Then place the bracket, as shown in Fig. 4. Route wires through the wire pass through hole. Secure with screws supplied. Repeat for opposite side.

NOTICE:

Installers and users must comply with all applicable federal, state and local laws regarding use and installation of warning devices.

Improper use or installation may void warranty coverage.

To review our Limited Warranty Statement & Return Policy for this or any SoundOff Signal product, visit our website at www.soundoffsignal.com/tech-services/returns/.

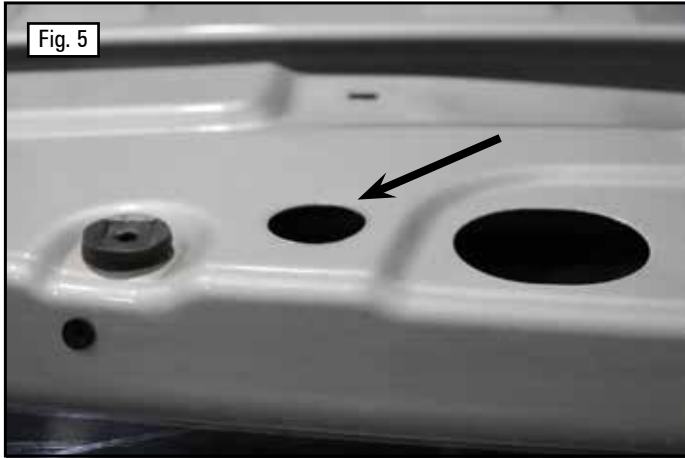
If you have questions regarding this product, contact **Technical Services**, Monday - Friday, 8 a.m. to 5 p.m. ET at 1.800.338.7337 (press #4).

Questions or comments that do not require immediate attention may be emailed to techservices@soundoffsignal.com.



2020 FORD UTILITY SPOILER BRACKET

PMP2RSX01 - For use with mPower 4x2 Stud Mount Light



Step 12

**BEFORE RE-INSTALLING THE REAR SPOILER,
MAKE ALL ELECTRICAL CONNECTIONS.**

*IF USING THE 5-WIRE MPOWER® FASCIA LIGHTS,
REFER TO:
WWW.SOUNDOFFSIGNAL.COM/IS/MPOWER

INSTALLATION (cont.):

9. Drill 1-3/8" hole in hatch sheet metal as shown in Fig. 5.
10. Insert grommet into hole, as shown in Fig. 6.
11. Run wire through grommet and make final connections, as shown in Fig. 7.
12. Before re-installing the rear spoiler, make all electrical connections.



1.800.338.7337 / www.soundoffsignal.com

NOTICE:

Installers and users must comply with all applicable federal, state and local laws regarding use and installation of warning devices.

Improper use or installation may void warranty coverage.

To review our Limited Warranty Statement & Return Policy for this or any SoundOff Signal product, visit our website at www.soundoffsignal.com/tech-services/returns/.

If you have questions regarding this product, contact **Technical Services**, Monday - Friday, 8 a.m. to 5 p.m. ET at 1.800.338.7337 (press #4).

Questions or comments that do not require immediate attention may be emailed to techservices@soundoffsignal.com.

ENHANCING SAFETY THROUGH INNOVATION