



3900 Central Parkway  
Hudsonville, MI 49426  
toll free 800.338.7337  
office 616.896.7100  
techsupport@soundoffsignal.com  
www.soundoffsignal.com

## 3000 'E' FLASH SERIES STROBE BEACON FLAT - PIPE - MAGNETIC MOUNT

### WARNING

**HIGH VOLTAGE!** Wait 15 Minutes after shutting OFF before servicing this unit.

### NOTE

Make sure the weeper hole is facing the rear of the vehicle, see Figure A.

### SPECIFICATIONS

Voltage	10-30 Vdc
Current	1 amp @ 12.8 Vdc (10W) 2 amps @ 12.8 Vdc (20W)
Power	10 watts/20 watts
Flash Mode	User selectable Single or Double
Mounting	Flat, 3/4" NPT pipe or Magnetic

**BLACK WIRE:** Route through the pipe to a convenient reliable ground.

**RED WIRE:** Route through the pipe to a user supplied switch. Connect the other side of the switch to a power source through a 5 amp fuse. Connect the fuse close to a power source.

**YELLOW WIRE:** Double Pattern Flash - DO NOT connect yellow wire. Tape up end.

Single Pattern Flash - "T" or tap the yellow wire into the red wire, see Figure B.

### FLAT MOUNT INSTALLATION

Use the Beacon gasket / base as a template to mark the mounting holes.

### NOTE

Make sure the weeper hole is facing the rear of the vehicle, see Figure A.

Secure the Beacon and gasket to the vehicle. Route the red, black and yellow wires through the entry hole in base, into vehicle.

**BLACK WIRE:** Connect to a convenient reliable ground.

**RED WIRE:** Connect to one side of a user supplied switch. Connect the other side of switch to a power source through a 5 amp fuse. Connect the fuse close to a power source.

**YELLOW WIRE:** Double Pattern Flash - DO NOT connect yellow wire. Tape up end.

Single Pattern Flash - "T" or tap the yellow wire into the red wire, see Figure B.

### PIPE MOUNT INSTALLATION

Mount the Beacon on the end of a 3/4" pipe that is threaded with NPT threads.

### MAGNETIC MOUNT INSTALLATION

The magnetic Mount Beacon comes factory wired in the Single Flash Mode. To change to Double Pattern Flash, follow the instructions below:

1. Take off lens and dress ring by removing the three lens screws.
2. Locate the red and yellow wires coming out of the bottom of the circuit board. Disconnect the red and yellow wires by separating the terminals that plug them together Tape up the end of yellow wire and push back under circuit board. Re-install lens and dress ring.

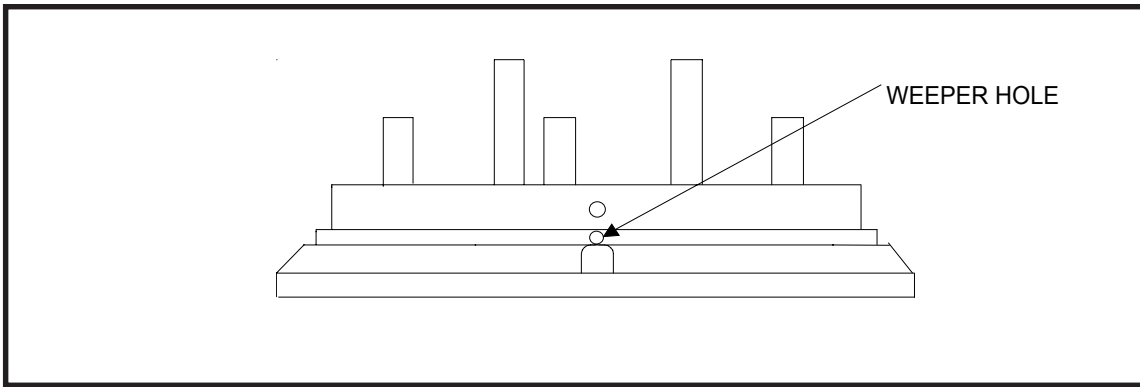
### STROBE TUBE REPLACEMENT

1. Remove Beacon lens and dress ring.

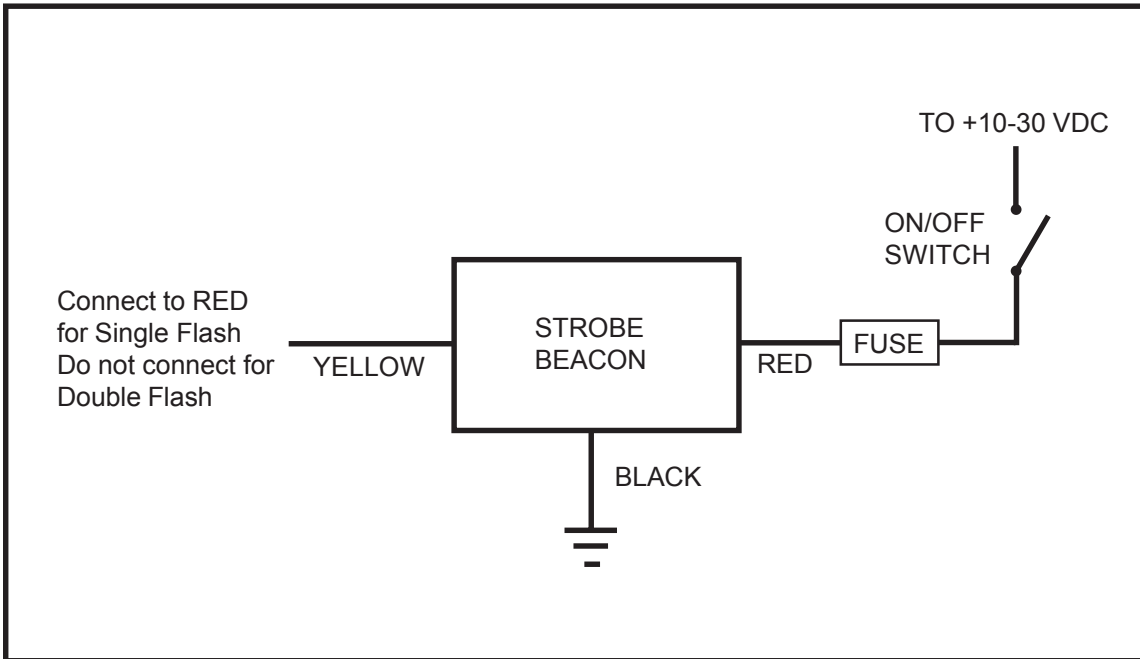
### NOTE

DO NOT touch the glass part of the tube assembly.

2. Remove the two screws holding the undercover strobe tube to the beacon base.



**Figure A.**



**Figure B.**

3. Remove the three screws holding the Strobe Power Supply circuit board to the Beacon base.
4. Lift the circuit board and the tube off from the Beacon base and unplug the tube from the circuit board.
5. Plug in the new replacement tube (part #PEHSTBCN) and reassemble Beacon doing steps in reverse.

### **WARRANTY**

SoundOff Signal warrants this Beacon for one (1) full year from the date of purchase to the original purchaser against any manufactured defects or workmanship. This warranty applies only to units installed according to manufacturer's installation instructions and operated within the units specifications.

Warranty is void if the unit was installed incorrectly or maliciously damaged.

SoundOff Signal's obligation under this warranty is limited to replacing, adjusting or repairing this system or it's damaged parts. All warranty claims must be accompanied by a dated proof of purchase.

SoundOff Signal retains the right to be the sole mediator of what constitutes defects in performance or manufacturing.