



200R SIREN w/PA PRE-AMP

PART NUMBERS:

ETSA200R-PA
ETSA200RA-PA
ETSA200RW-PA

Tech Specs	200R SIREN W/PA PRE-AMP
Input Voltage:	10-16Vdc (Negative Ground)
Connectors:	1x 3 Pin Microphone (Ground, PTT Input, Audio in)
	1x 4 Pin Audio (Ground, +V, Audio Out, PTT Output)
	1x 8 Pin RJ45 CTRL PNL
	1x 8 Pin RJ45 CENTRAL
Protection:	Reverse Polarity
	Short Circuit
	Over Current
	Transient
Operating Temp:	-40°C to +110°F
Dimensions:	3.5" x 3.5" x .8"
Audio Frequency:	200Hz-10KHz
Standby Current:	<5 mA

Important Information:

- Warning devices are strictly regulated and governed by Federal, State and Municipal ordinances. These devices shall be used ONLY on approved vehicles. It is the sole responsibility of the user of these devices to ensure compliance.
- DO NOT install this product or route any wires in the Air Bag Deployment Zone. Refer to your vehicle Owner's Manual for the location of any air bag deployment zones.
- DO NOT connect this device to a strobe power supply. This product is self-contained and does not require an external power supply.



1.800.338.7337 / www.soundoffsignal.com

OPERATION:

Depressing the PTT switch on the PA Microphone will activate the PA function of the 200R Siren amplifier. Releasing the PTT switch on the PA Microphone will disable the PA function and siren amplifier will return to previous function.



WARNING

Sirens produce loud sounds that may damage hearing:
- Roll up windows.
- Wear hearing protection.
- Use only for emergency response.
- Avoid exposure to siren sound outside of vehicle.

Package Contents:

- 1 PA Pre-Amplifier
- 1 Microphone w/Mounting Clip & Hardware
- 1 4 Wire Cable

IMPORTANT INFORMATION:

Warning devices are strictly regulated and governed by Federal, State and Municipal ordinances. These devices shall be used ONLY on approved vehicles. It is the sole responsibility of the user of these devices to ensure compliance.

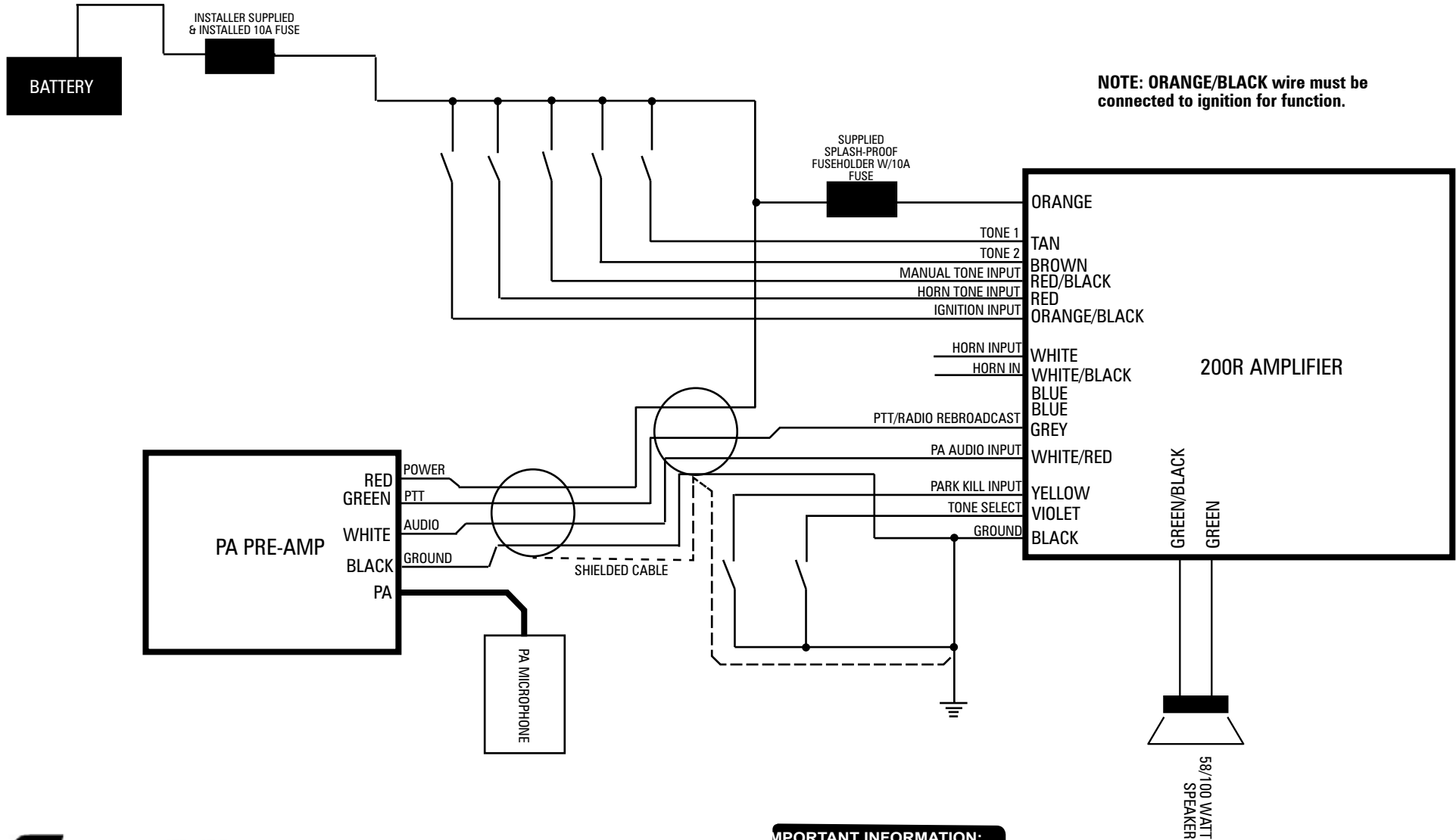
To review our Limited Warranty Statement & Return Policy for this or any SoundOff Signal product, visit our website at www.soundoffsignal.com/sales-support. If you have questions regarding this product, contact **Technical Services**, Monday - Friday, 8 a.m. to 5 p.m. at 1.800.338.7337 (press #4 to skip the automated message). Questions or comments that do not require immediate attention may be emailed to techservices@soundoffsignal.com.

SUPERIOR CUSTOMER RELATIONSHIPS. SMARTLY DESIGNED LIGHTING & ELECTRONIC SOLUTIONS.

INSTALLATION:

1. Securely mount the PA Pre-Amplifier in a dry location inside vehicle
2. Plug 4 wire cable into 4 pin connector on PA Pre-Amplifier
3. Plug microphone into 3 pin connector on PA Pre-Amplifier
4. Route 4 wire cable to 200R Siren Amplifier
5. 4 Wire PA Pre-Amplifier connections:
 - a. Black wire and shield: tap into black wire of 200R Siren Amplifier or connect to reliable ground near siren amplifier ground
 - b. Red wire: tap into 200R siren amplifier orange wire
 - c. White wire: Connect to the White/Red wire of 200R siren amplifier
 - d. Green Wire:
 - i. If Radio Rebroadcast function is not required: connect to the Grey wire of the 200R siren amplifier
 - ii. If Radio Rebroadcast function is required:
 1. Connect Grey Wire of 200R siren amplifier to a common terminal of SPDT (single pole/double throw) switch
 2. Connect White wire from 4 wire cable to the terminal of the switch which makes contact with the common terminal when switch is the off position
 3. Connect the other terminal of the switch to +10-16Vdc to activate Radio Rebroadcast function when the switch is in the ON position
 - e. Orange/Black Wire:
 1. Connect Orange/Black wire to ignition switch. +Vdc is required on Orange/Black wire for siren to operate.
6. Adjust the Audio Gain potentiometer on the PA Pre-Amplifier to obtain desired speaker output level for PA function
7. Dip Switch configuration on PA Pre-Amplifier
 - a. Dip Switch #1: ON Position
 - b. Dip Switch #2: OFF Position

PA PRE-AMP WITHOUT RADIO RE-BROADCAST REQUIRED

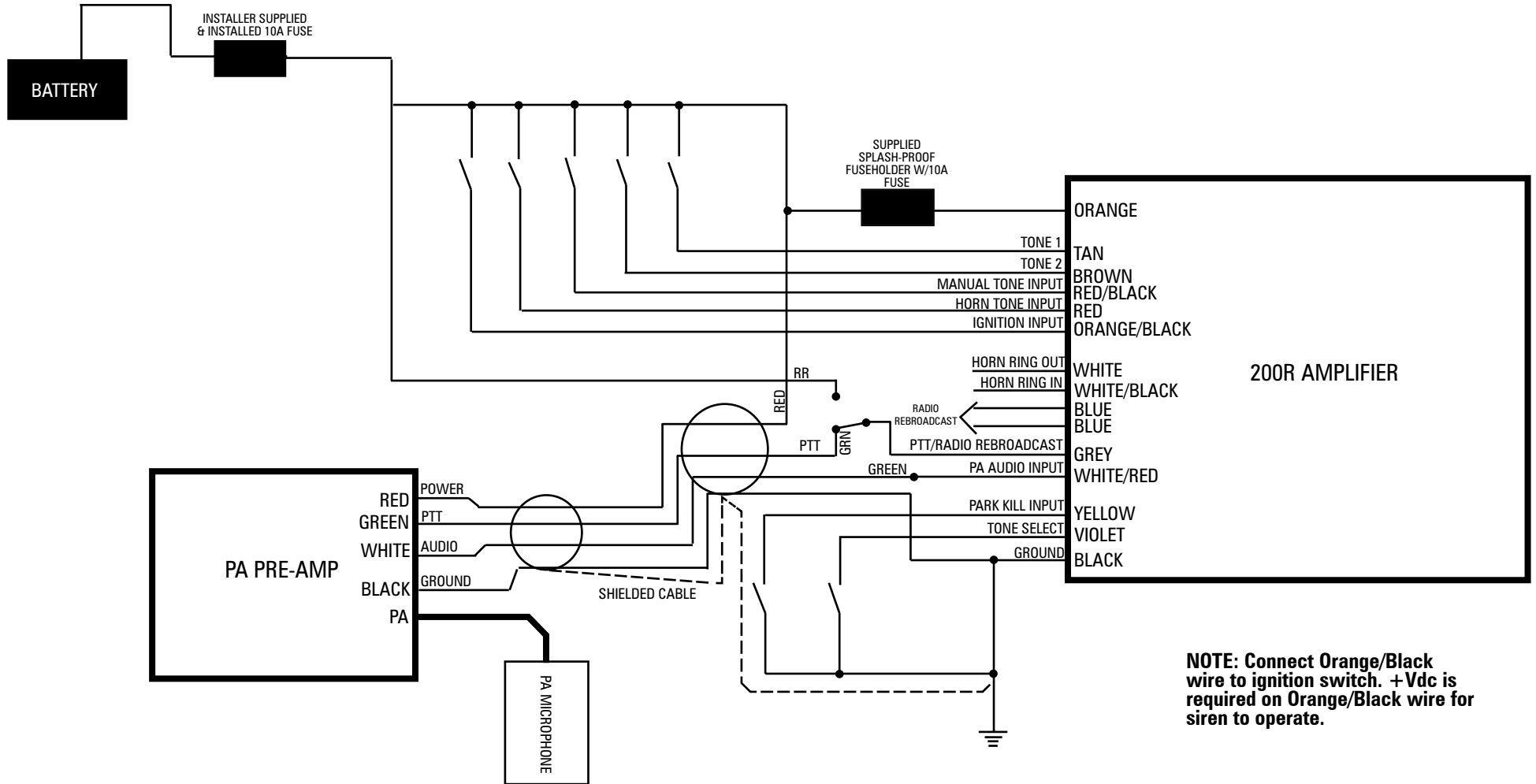


IMPORTANT INFORMATION:

Warning devices are strictly regulated and governed by Federal, State and Municipal ordinances. These devices shall be used ONLY on approved vehicles. It is the sole responsibility of the user of these devices to ensure compliance.

To review our Limited Warranty Statement & Return Policy for this or any SoundOff Signal product, visit our website at www.soundoffsignal.com/sales-support.
If you have questions regarding this product, contact **Technical Services**, Monday - Friday, 8 a.m. to 5 p.m. at 1.800.338.7337 (press #4 to skip the automated message).
Questions or comments that do not require immediate attention may be emailed to techservices@soundoffsignal.com.

PA PRE-AMP WITH RADIO RE-BROADCAST REQUIRED



NOTE: Connect Orange/Black wire to ignition switch. +Vdc is required on Orange/Black wire for siren to operate.

IMPORTANT INFORMATION:

Warning devices are strictly regulated and governed by Federal, State and Municipal ordinances. These devices shall be used ONLY on approved vehicles. It is the sole responsibility of the user of these devices to ensure compliance.

To review our Limited Warranty Statement & Return Policy for this or any SoundOff Signal product, visit our website at www.soundoffsignal.com/sales-support. If you have questions regarding this product, contact **Technical Services**, Monday - Friday, 8 a.m. to 5 p.m. at 1.800.338.7337 (press #4 to skip the automated message). Questions or comments that do not require immediate attention may be emailed to techservices@soundoffsignal.com.